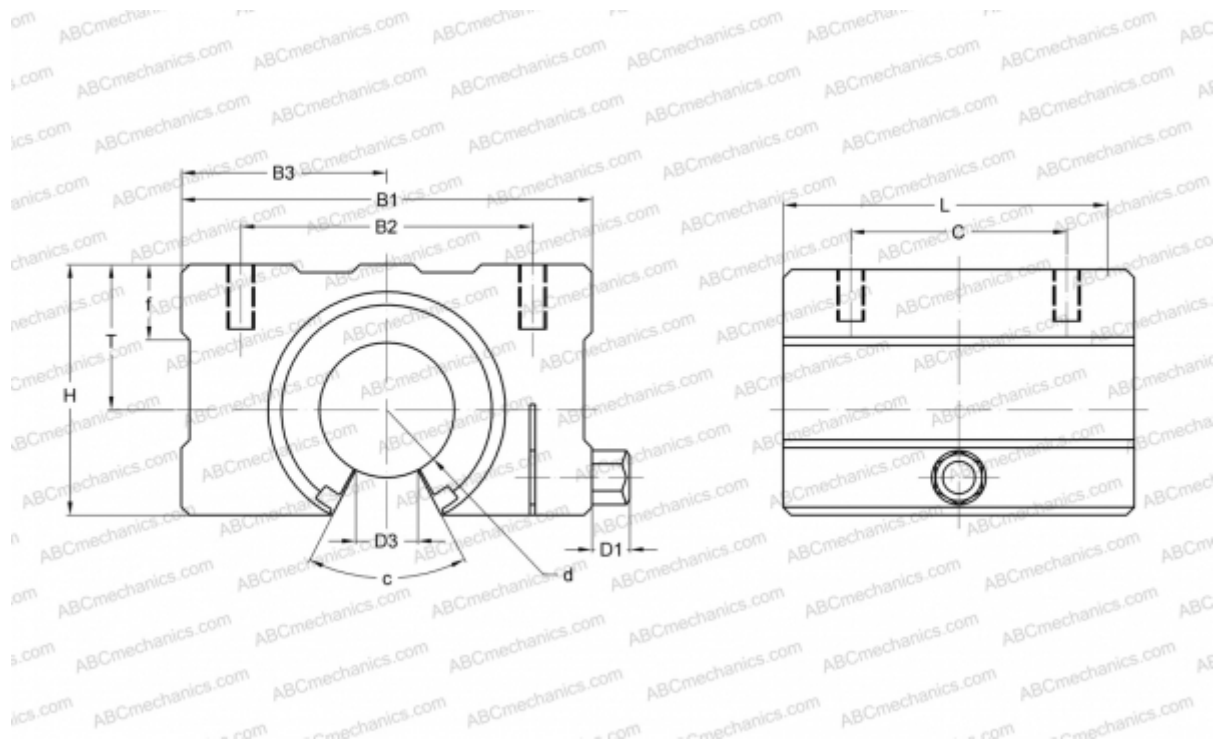


## SMSD25GUU NB

Linear bushing, case unit

TYPE: Shaft guidance systems, Linear bushing, case unit, Open type, Clearance adjustable type, Type SMD, Corrosion resistance (NB)



### Technical specification

#### DIMENSIONS, MM

B1	76,000
H	47,000
L	65,000
d	25,000
D1	7,000
D3	11,500
B2	54,000
B3	38,000
T	27,000
f	14,000
C	40,000
c	50

**WEIGHT, KG** 0,580

**MANUFACTURER** [NB](#)