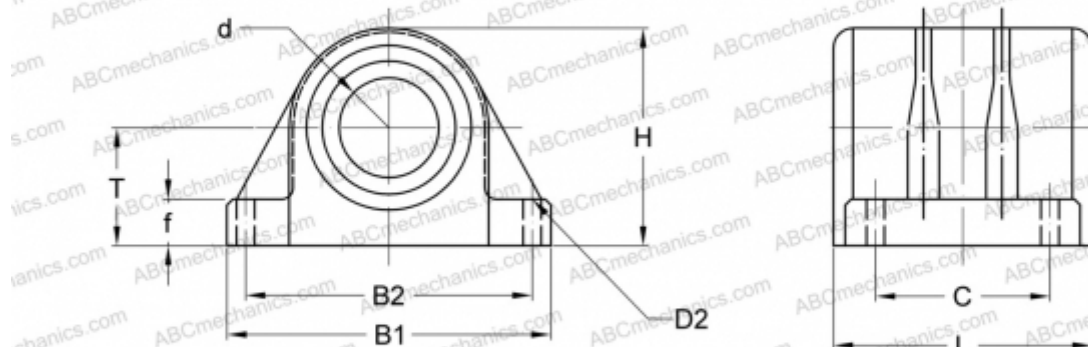


## RBW 16 NB

Linear bushing, case unit

TYPE: Shaft guidance systems, Pillow block, Type RBW, resin, inch size (NB)



### Technical specification

#### DIMENSIONS, MM

B1	82,550
H	55,550
L	65,881
d	25,400
D2	5,600
B2	73,025
T	30,150
f	11,906
C	44,450

**WEIGHT, KG** 0,242

**MANUFACTURER** [NB](#)