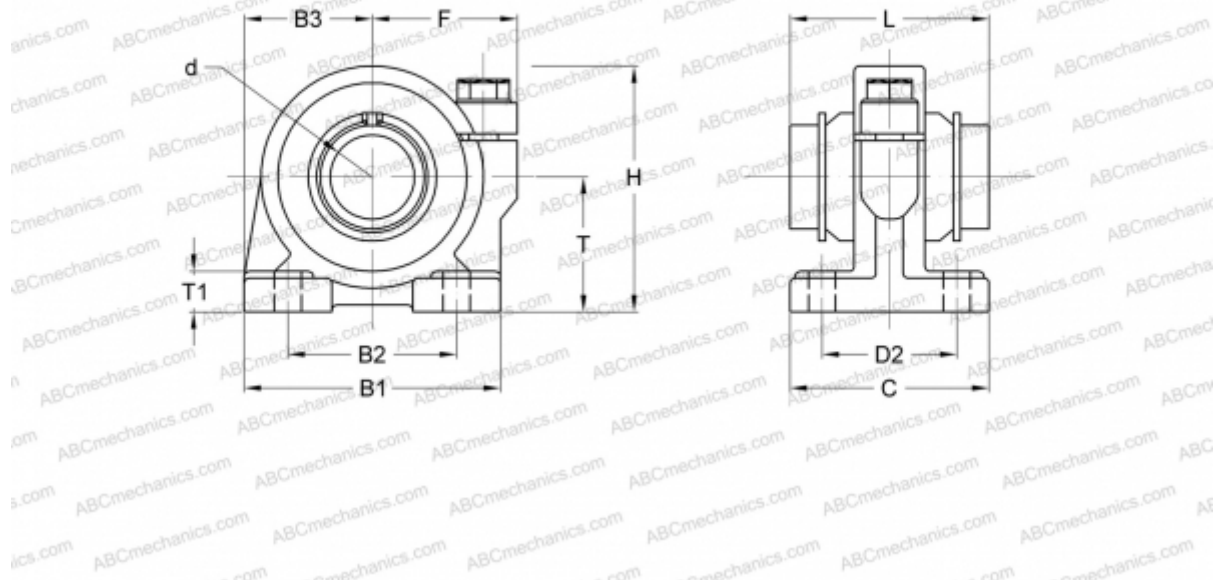


## SMP40GUU NB

Linear bushing, case unit

TYPE: Shaft guidance systems, Pillow block, Type SMP (NB)



### Technical specification

#### DIMENSIONS, MM

B1	124,000
H	112,000
L	80,000
d	40,000
D2	64,000
B2	76,000
B3	62,000
T	60,000
T1	18,000
C	86,000
F	68

**WEIGHT, KG** 3,700

**MANUFACTURER** [NB](#)