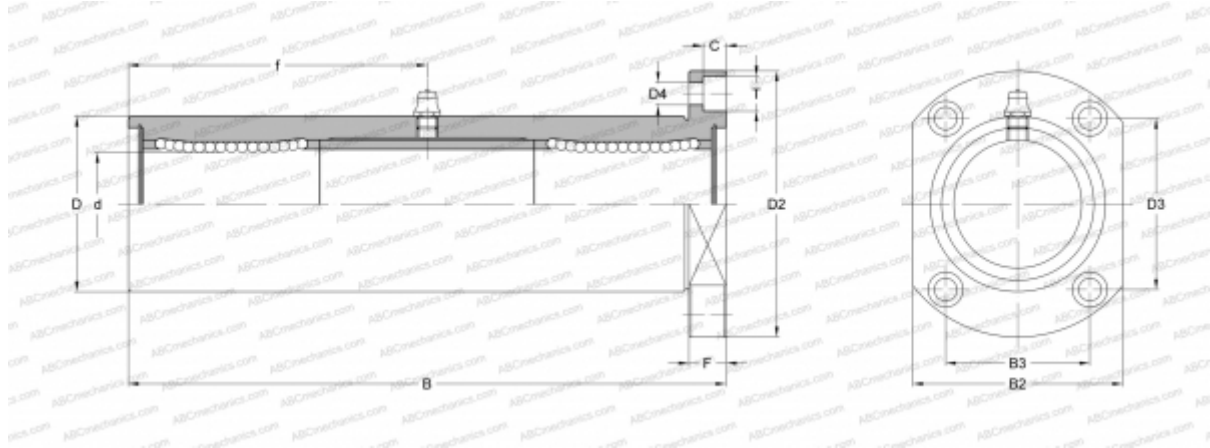


TRT 16GUU NB

Linear bushing

TYPE: Shaft guidance systems, Linear bushing, With flange, Oval type, three length, Type TRT (NB)



Technical specification

DIMENSIONS, MM

d	16,000
D	32,000
B	103,000
D2	54,000
D3	36,000
D4	5,500
B2	38,000
B3	24,000
T	9,000
f	51,000
C	5,100
F	8

MANUFACTURER

[NB](#)