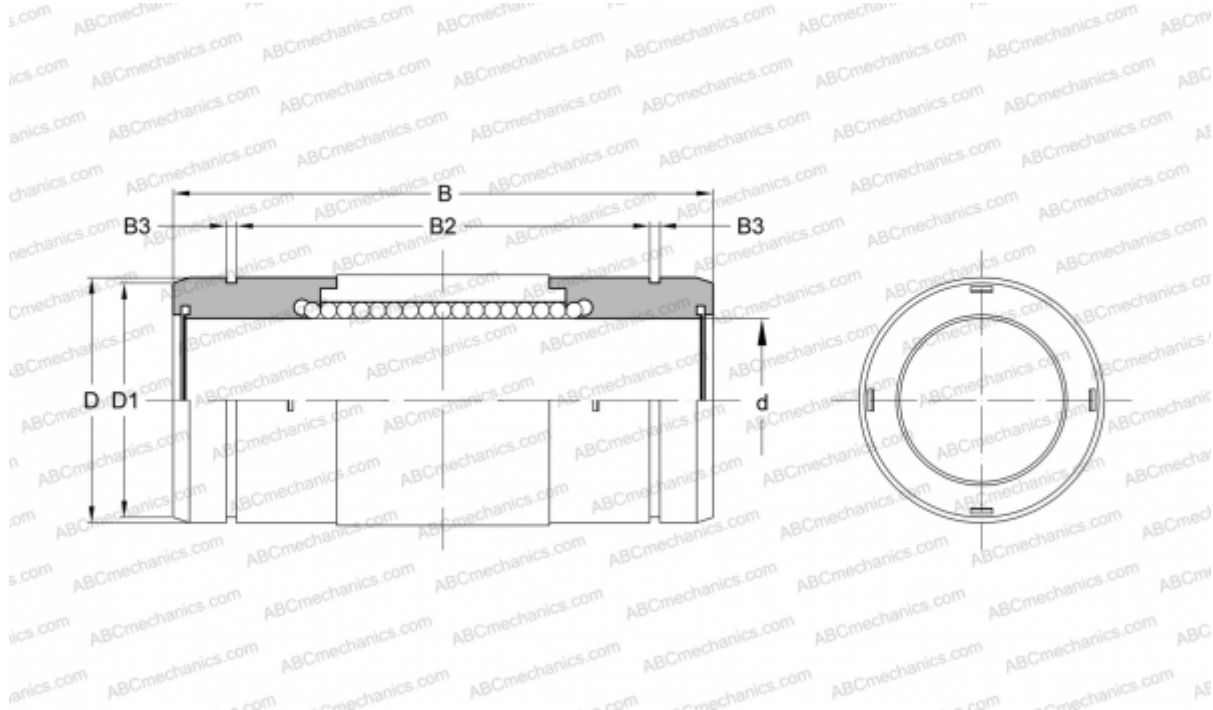


## SM10G-LUU NB

Linear bushing

TYPE: Shaft guidance systems, Linear bushing, Standard, Close type, Type SM..G-L, long (NB)



### Technical specification

#### DIMENSIONS, MM

d	10,000
D	19,000
B	39,000
D1	18,000
B3	1,000

**WEIGHT, KG** 0,038

**MANUFACTURER** [NB](#)