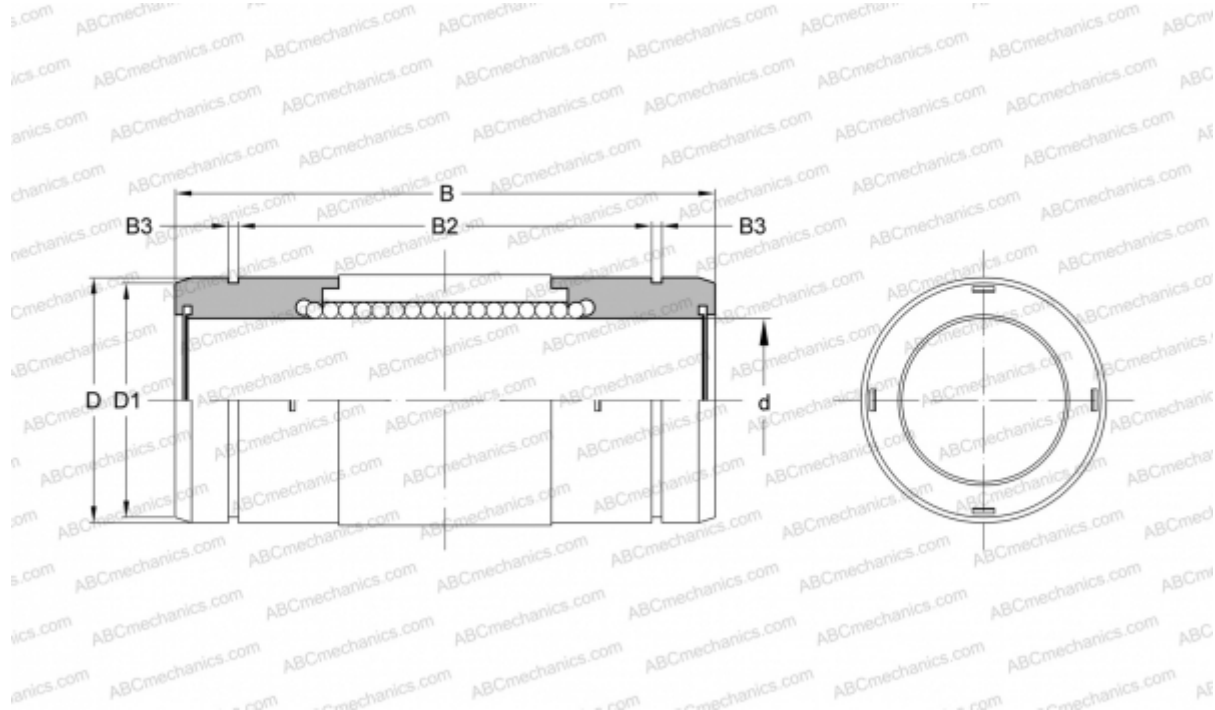


SM13G-LUU NB

Linear bushing

TYPE: Shaft guidance systems, Linear bushing, Standard, Close type, Type SM..G-L, long (NB)



Technical specification

DIMENSIONS, MM

d	13,000
D	23,000
B	45,000
D1	22,000
B3	1,000

WEIGHT, KG 0,062

MANUFACTURER [NB](#)