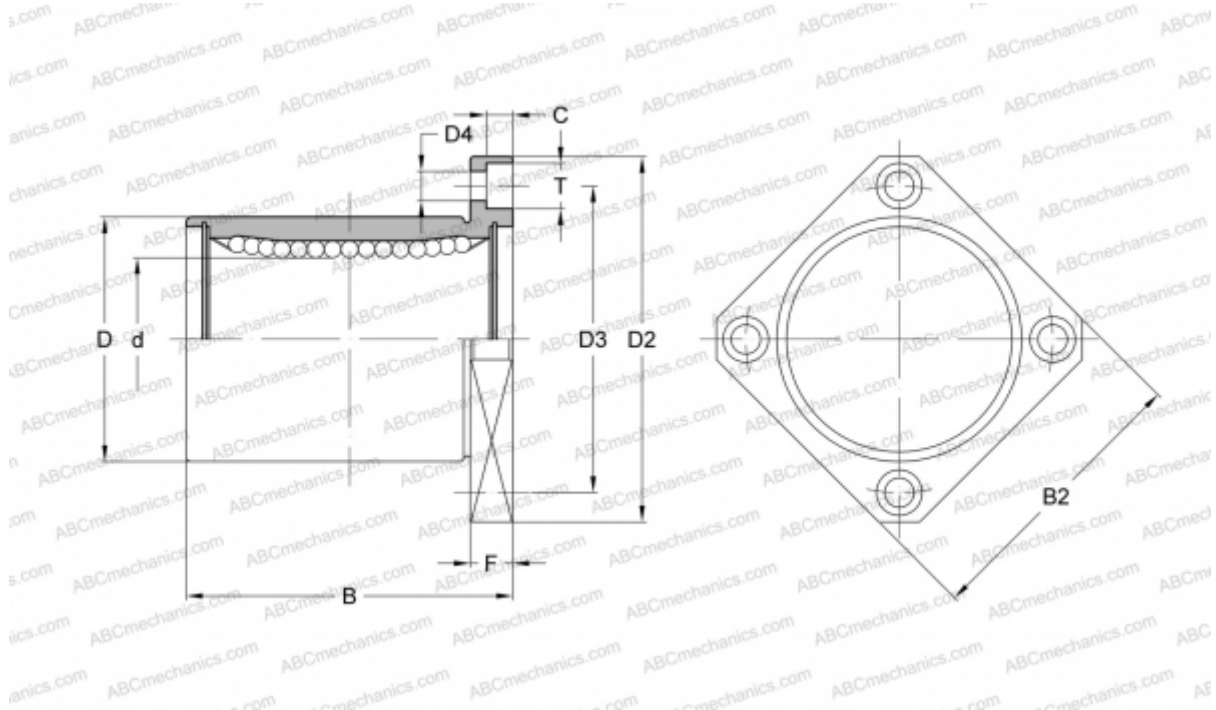


## SMK 20G-LUU NB

Linear bushing

TYPE: Shaft guidance systems, Linear bushing, With flange, Square type, Type SMK..G-L (NB)



### Technical specification

#### DIMENSIONS, MM

d	20,000
D	32,000
B	59,000
D2	54,000
D3	43,000
D4	5,500
B2	42,000
T	9,000
C	5,100
F	8

**WEIGHT, KG** 0,170

**MANUFACTURER** [NB](#)