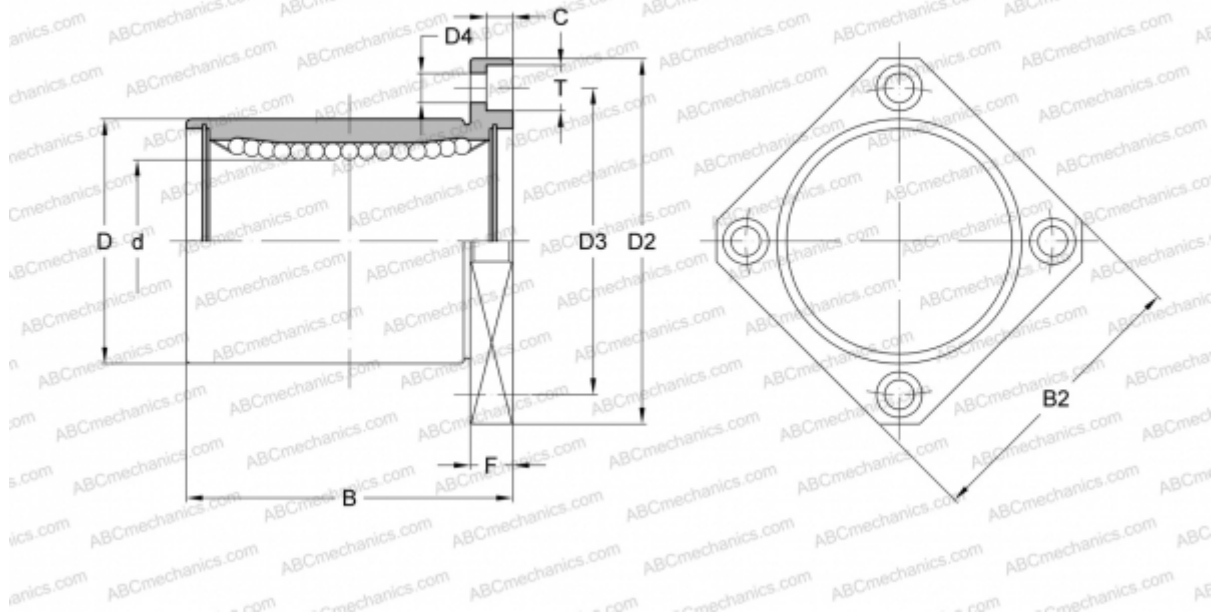


SMK 30G-LUU NB

Linear bushing

TYPE: Shaft guidance systems, Linear bushing, With flange, Square type, Type SMK..G-L (NB)



Technical specification

DIMENSIONS, MM

d	30,000
D	45,000
B	90,000
D2	74,000
D3	60,000
D4	6,600
B2	58,000
T	11,000
C	6,100
F	10

WEIGHT, KG 0,460

MANUFACTURER [NB](#)