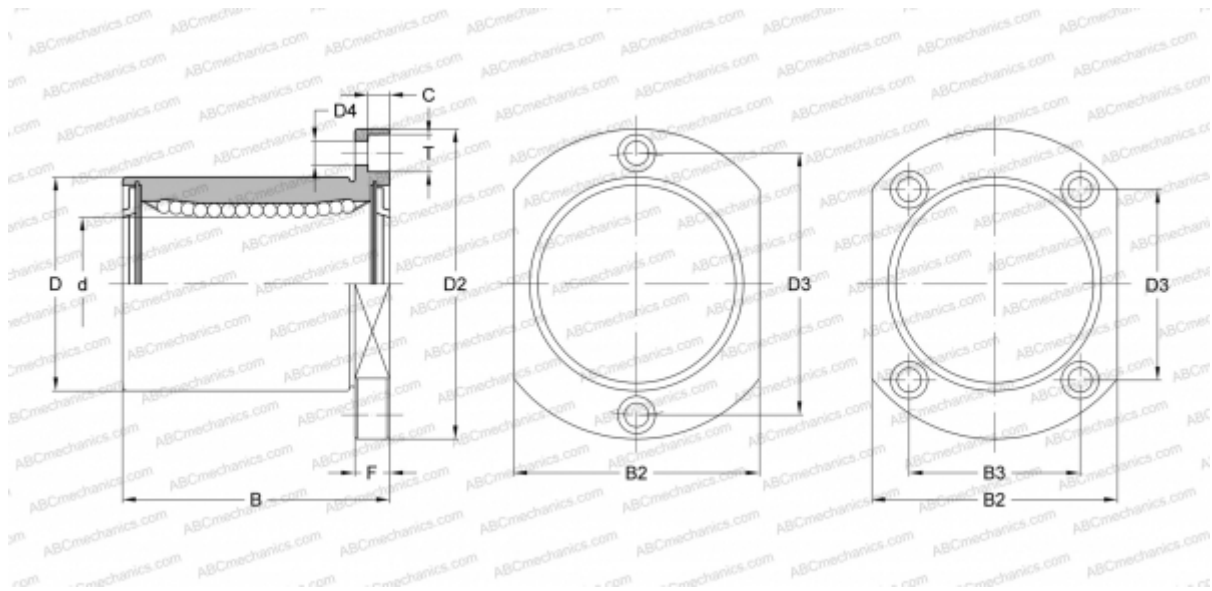


## KBT 5GUU NB

Linear bushing

TYPE: Shaft guidance systems, Linear bushing, With flange, Oval type, Type KBT, European standard, Plastic cage (NB)



### Technical specification

#### DIMENSIONS, MM

d	5,000
D	12,000
B	22,000
D2	28,000
D3	20,000
D4	3,500
B2	18,000
T	6,000
C	3,100
F	5

**WEIGHT, KG** 0,025

**MANUFACTURER** [NB](#)