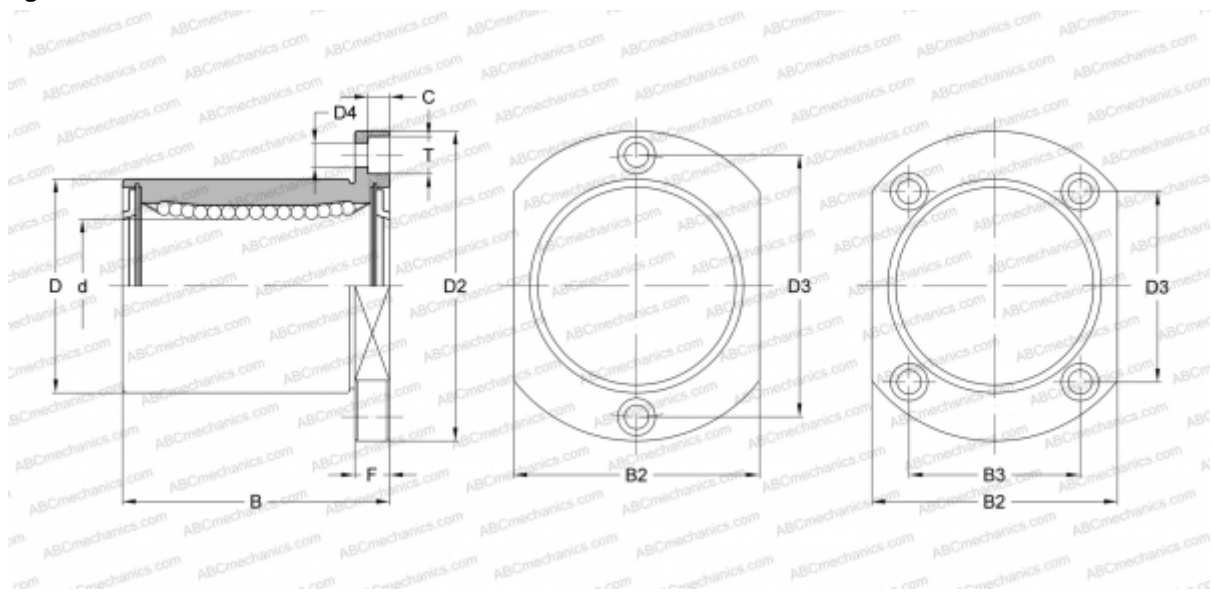


## KBT 8GUU NB

Linear bushing

TYPE: Shaft guidance systems, Linear bushing, With flange, Oval type, Type KBT, European standard, Plastic cage (NB)



### Technical specification

#### DIMENSIONS, MM

|    |        |
|----|--------|
| d  | 8,000  |
| D  | 16,000 |
| B  | 25,000 |
| D2 | 32,000 |
| D3 | 24,000 |
| D4 | 3,500  |
| B2 | 22,000 |
| T  | 6,000  |
| C  | 3,100  |
| F  | 5      |

**WEIGHT, KG** 0,037

**MANUFACTURER** [NB](#)