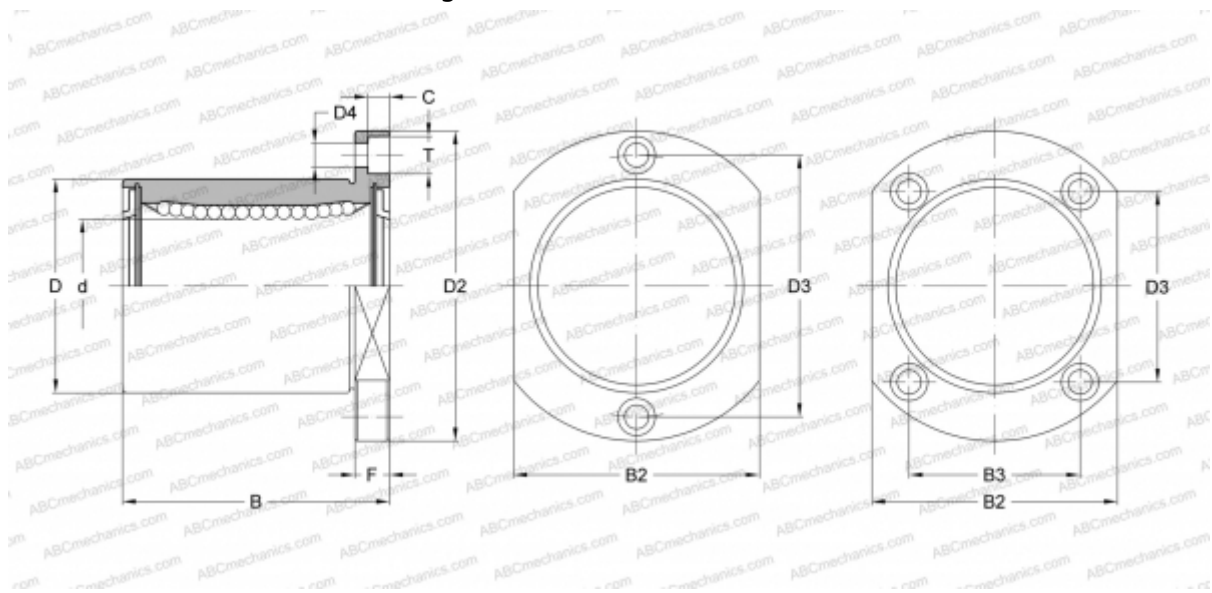


## KBST30UU NB

Linear bushing

TYPE: Shaft guidance systems, Linear bushing, With flange, Oval type, Type KBT, European standard, Corrosion resistance, Stainless steel cage (NB)



### Technical specification

#### DIMENSIONS, MM

|    |        |
|----|--------|
| d  | 30,000 |
| D  | 47,000 |
| B  | 68,000 |
| D2 | 76,000 |
| D3 | 48,000 |
| D4 | 6,600  |
| B2 | 53,000 |
| B3 | 38,000 |
| T  | 11,000 |
| C  | 6,100  |
| F  | 10     |

**WEIGHT, KG** 0,471

**MANUFACTURER** [NB](#)