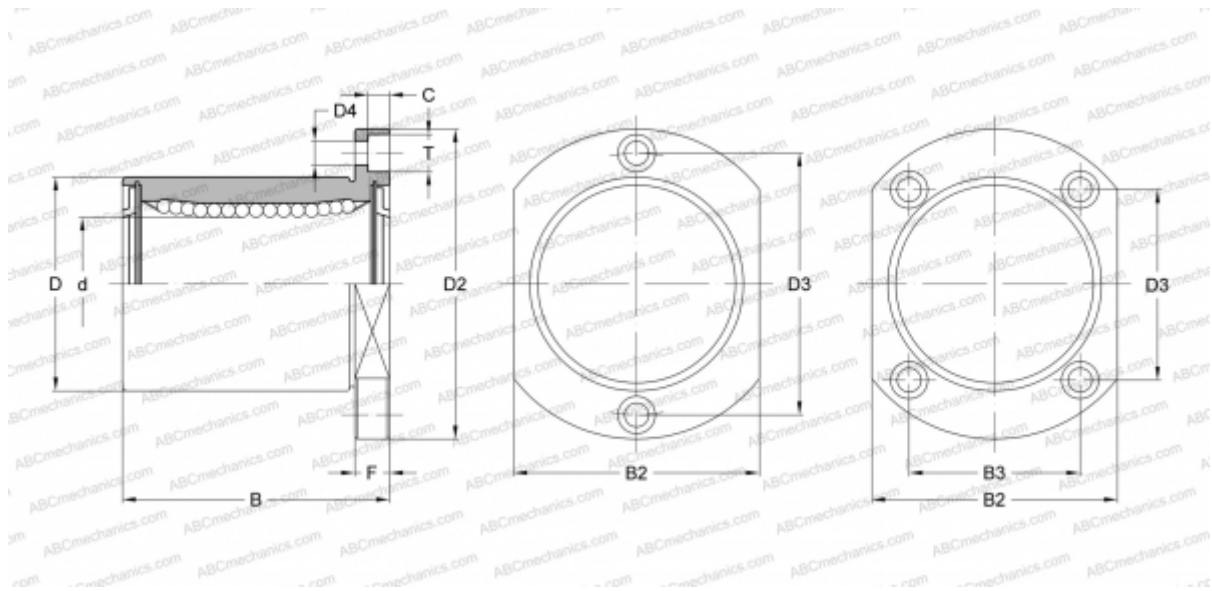


## SWT 6UU NB

Linear bushing

TYPE: Shaft guidance systems, Linear bushing, With flange, Oval type, Type SWT, American standard, Steel cage (NB)



### Technical specification

#### DIMENSIONS, MM

d	9,525
D	15,875
B	22,225
D2	38,100
D3	22,225
D4	4,763
B2	22,225
T	7,544
C	4,369
F	22.225

**WEIGHT, KG** 0,044

**MANUFACTURER** [NB](#)