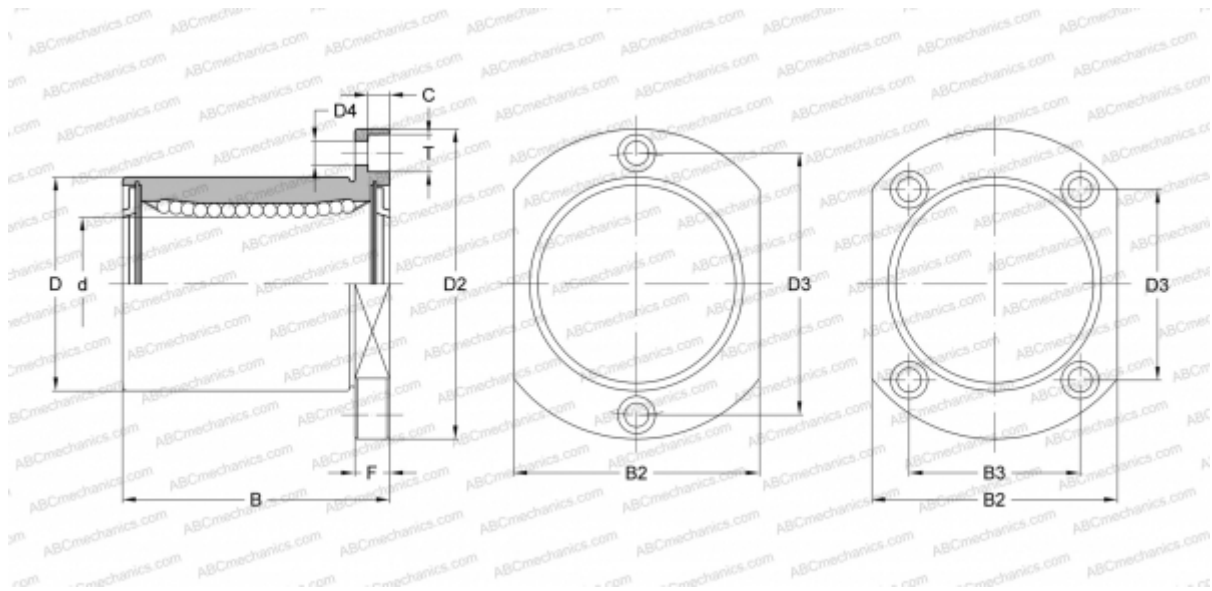


## SWT4GUU NB

Linear bushing

TYPE: Shaft guidance systems, Linear bushing, With flange, Oval type, Type SWT, American standard, Plastic cage (NB)



### Technical specification

#### DIMENSIONS, MM

d	6,350
D	12,700
B	19,050
D2	31,750
D3	19,050
D4	3,962
B2	19,050
T	6,350
C	3,581
F	19.05

**WEIGHT, KG** 0,028

**MANUFACTURER** [NB](#)