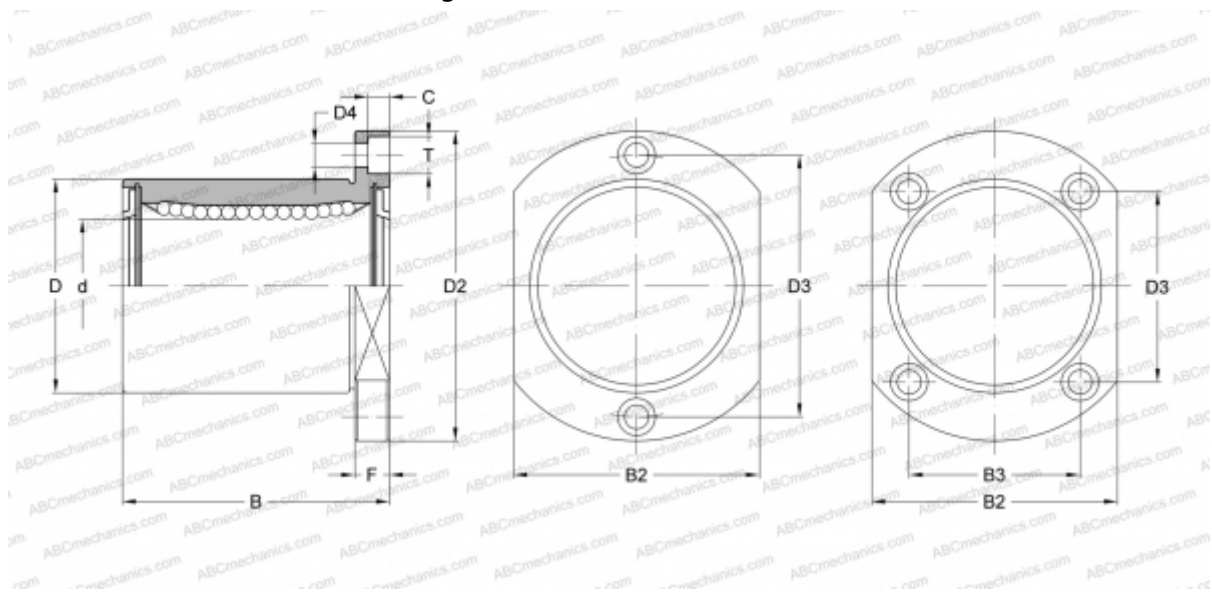


SWST 4UU NB

Linear bushing

TYPE: Shaft guidance systems, Linear bushing, With flange, Oval type, Type SWT, American standard, Corrosion resistance, Stainless steel cage (NB)



Technical specification

DIMENSIONS, MM

d	6,350
D	12,700
B	19,050
D2	31,750
D3	19,050
D4	3,962
B2	19,050
T	6,350
C	3,581
F	19.05

WEIGHT, KG 0,028

MANUFACTURER [NB](#)