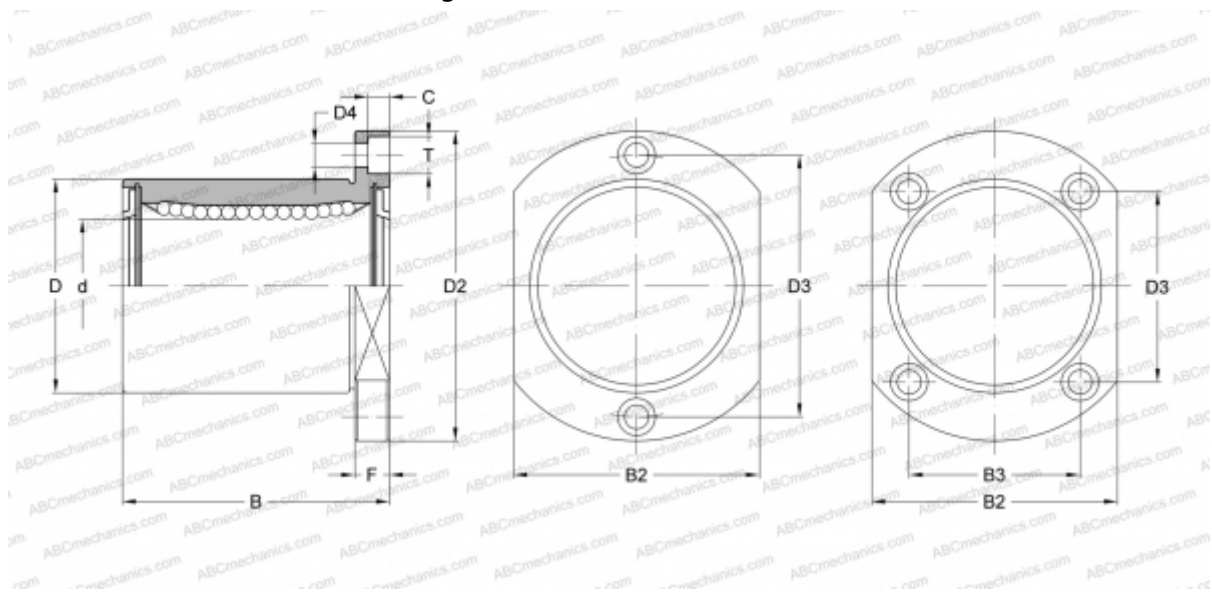


SWST 6UU NB

Linear bushing

TYPE: Shaft guidance systems, Linear bushing, With flange, Oval type, Type SWT, American standard, Corrosion resistance, Stainless steel cage (NB)



Technical specification

DIMENSIONS, MM

| | |
|----|--------|
| d | 9,525 |
| D | 15,875 |
| B | 22,225 |
| D2 | 38,100 |
| D3 | 22,225 |
| D4 | 4,763 |
| B2 | 22,225 |
| T | 7,544 |
| C | 4,369 |
| F | 22.225 |

WEIGHT, KG 0,044

MANUFACTURER [NB](#)