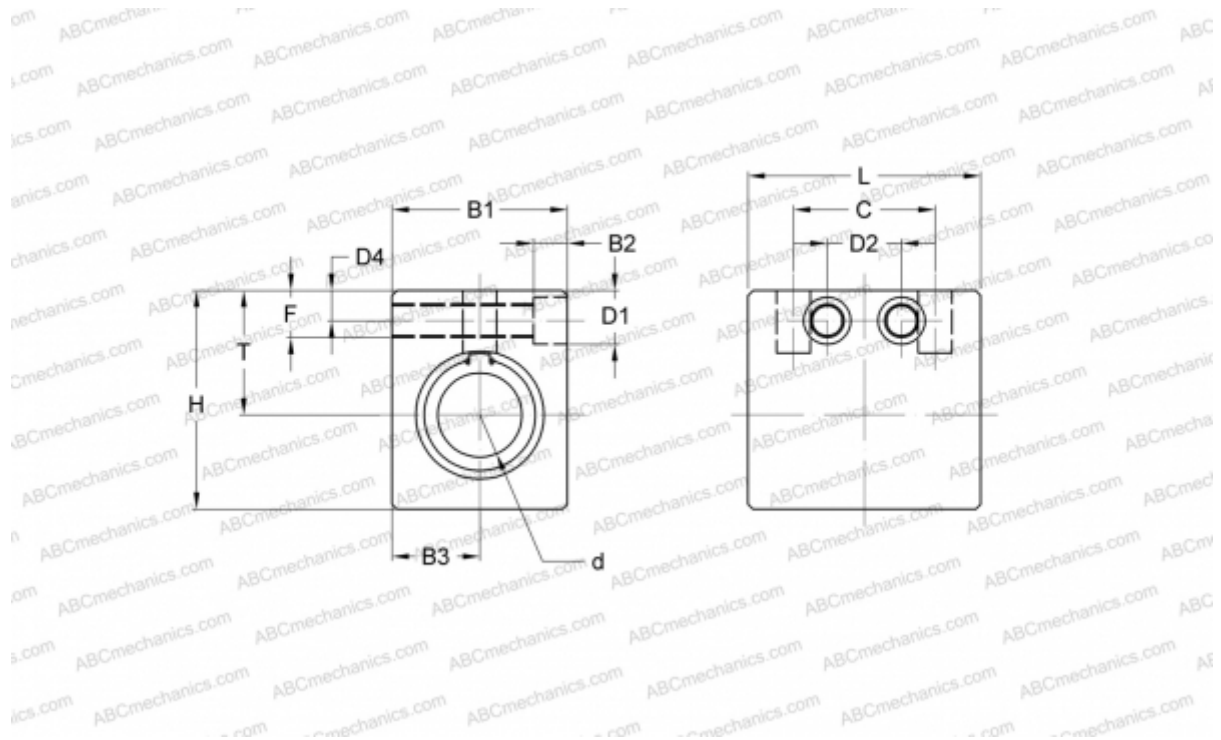


AK 20GUU NB

Linear bushing, case unit

TYPE: Shaft guidance systems, Linear bushing, case unit, Close type, Block type, Type AK, compact (NB)



Technical specification

DIMENSIONS, MM

B1	42,000
H	54,000
L	52,000
d	20,000
D1	11,000
D2	18,000
D4	8,000
B2	8,000
B3	21,000
T	31,000
C	36,000
F	15

WEIGHT, KG 0,272

MANUFACTURER [NB](#)