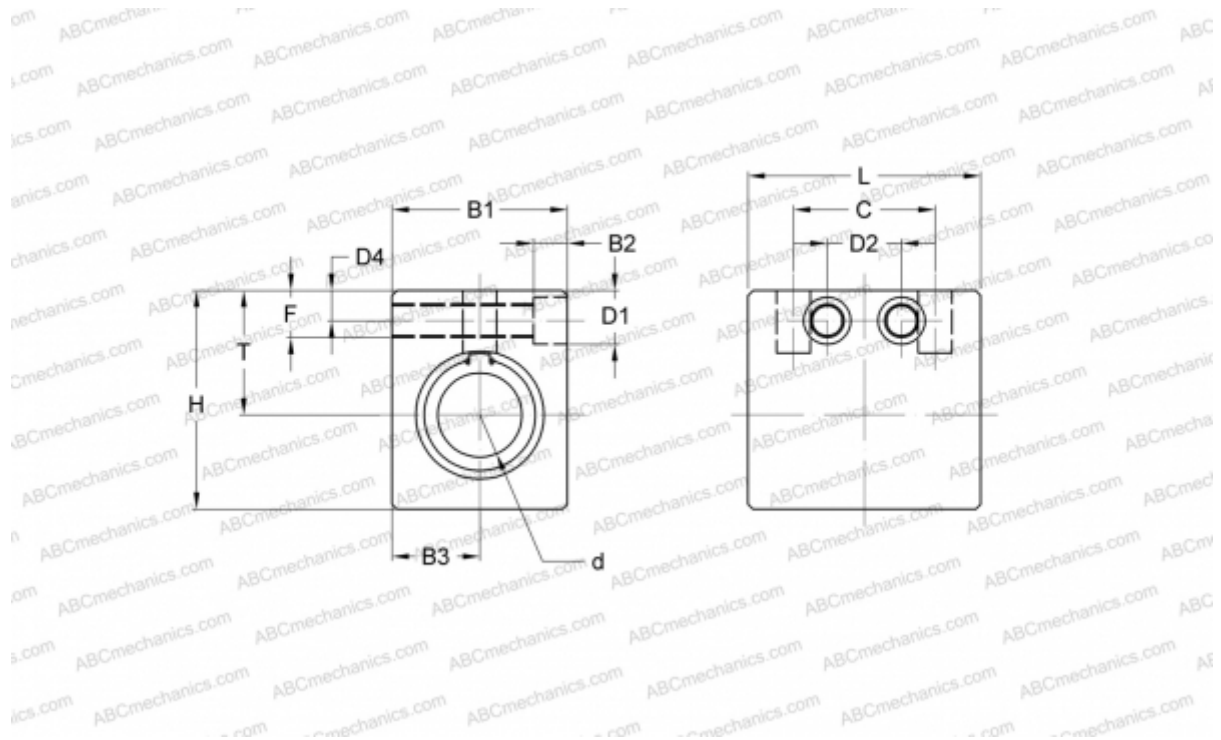


AK 30GUU NB

Linear bushing, case unit

TYPE: Shaft guidance systems, Linear bushing, case unit, Close type, Block type, Type AK, compact (NB)



Technical specification

DIMENSIONS, MM

B1	58,000
H	71,000
L	74,000
d	30,000
D1	14,000
D2	22,000
D4	9,000
B2	10,000
B3	29,000
T	40,000
C	44,000
F	17.5

WEIGHT, KG 0,710

MANUFACTURER [NB](#)