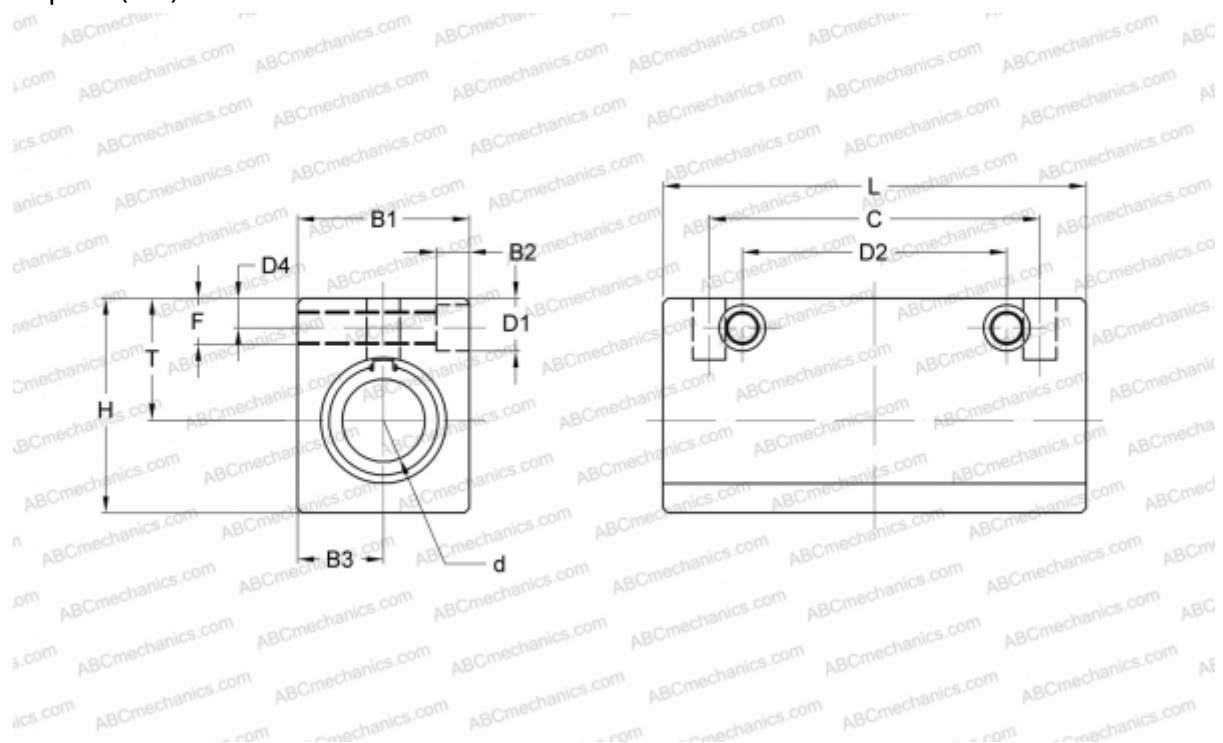


AK 8GWUU NB

Linear bushing, case unit

TYPE: Shaft guidance systems, Linear bushing, case unit, Close type, Double-wide block type, Type AK..W, compact (NB)



Technical specification

DIMENSIONS, MM

| | |
|----|--------|
| B1 | 20,000 |
| H | 26,000 |
| L | 56,000 |
| d | 8,000 |
| D1 | 6,000 |
| D2 | 42,000 |
| D4 | 5,000 |
| B2 | 5,000 |
| B3 | 10,000 |
| T | 16,000 |
| C | 30,000 |
| c | 42 |
| F | 8.5 |

WEIGHT, KG 0,075

MANUFACTURER [NB](#)