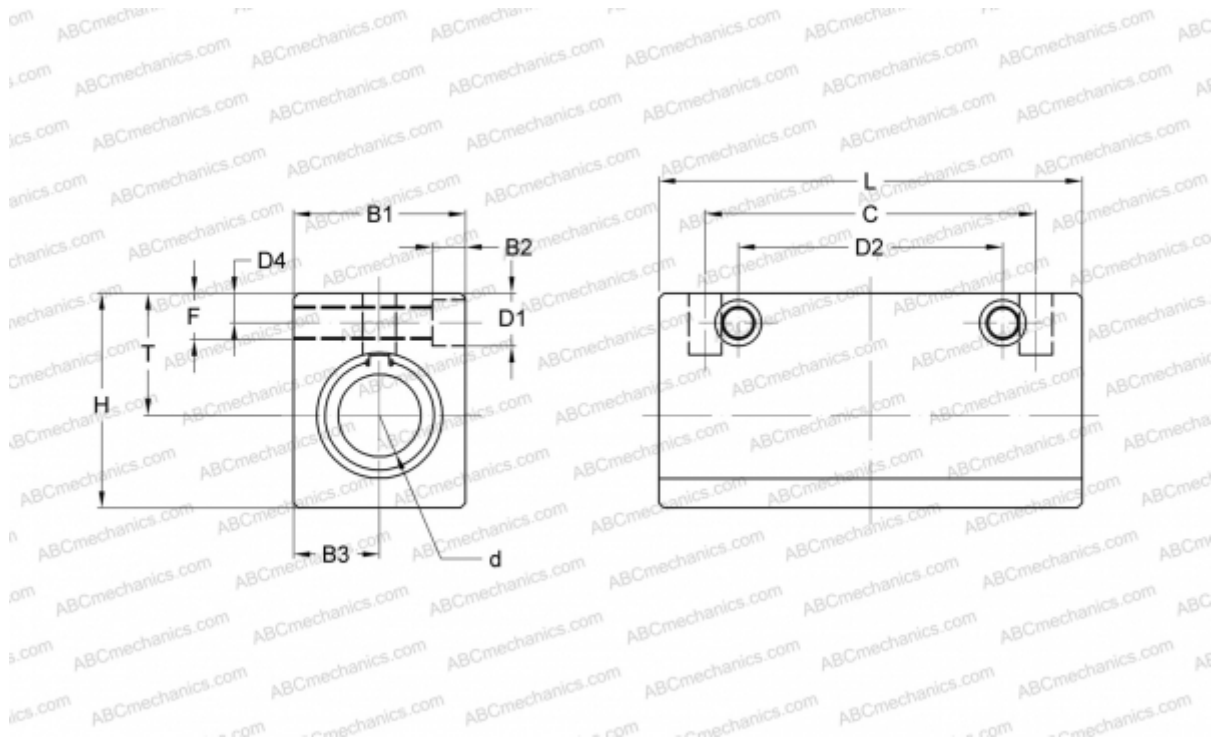


AK 13GWUU NB

Linear bushing, case unit

TYPE: Shaft guidance systems, Linear bushing, case unit, Close type, Double-wide block type, Type AK..W, compact (NB)



Technical specification

DIMENSIONS, MM

B1	30,000
H	43,000
L	74,000
d	13,000
D1	9,000
D2	55,000
D4	7,000
B2	7,000
B3	15,000
T	25,000
C	42,000
c	55
F	13.5

WEIGHT, KG 0,248

MANUFACTURER [NB](#)