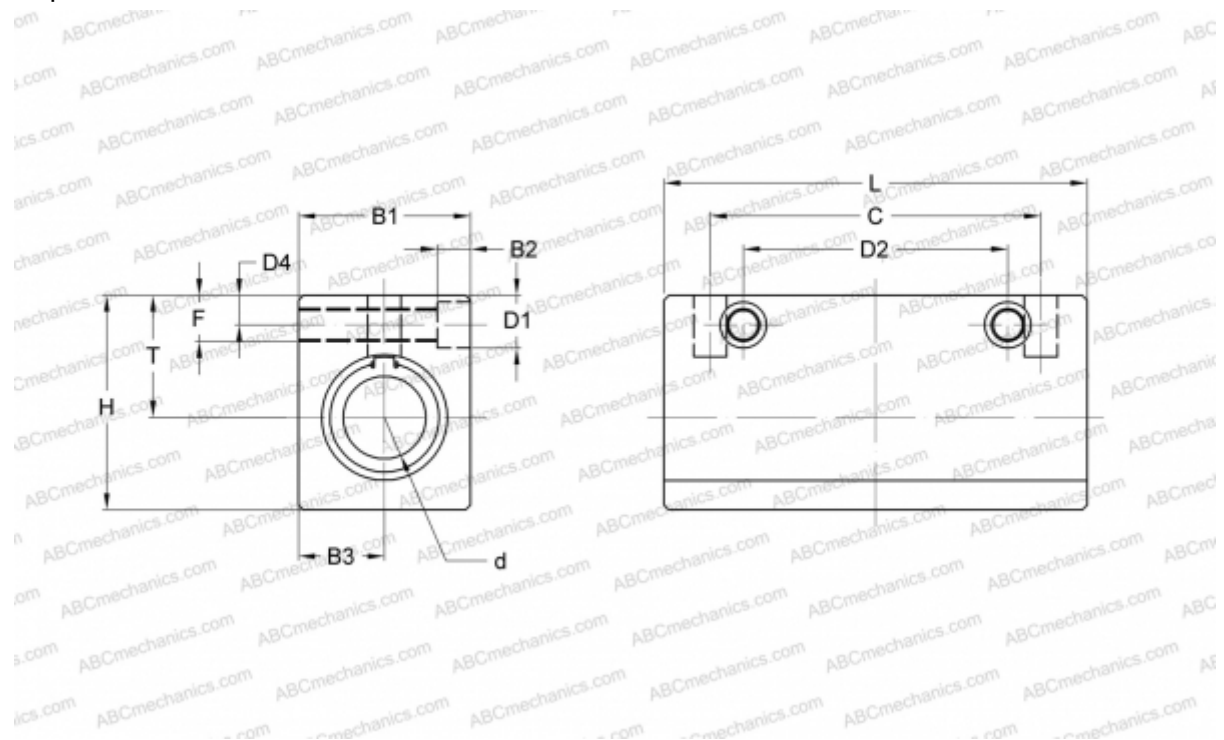


## AK 1SGWUU NB

Linear bushing, case unit

TYPE: Shaft guidance systems, Linear bushing, case unit, Close type, Double-wide block type, Type AK..W, compact (NB)



### Technical specification

#### DIMENSIONS, MM

B1	36,000
H	49,000
L	84,000
d	16,000
D1	9,000
D2	65,000
D4	7,000
B2	7,000
B3	18,000
T	27,000
C	52,000
c	65
F	13

**WEIGHT, KG** 0,383

**MANUFACTURER** [NB](#)