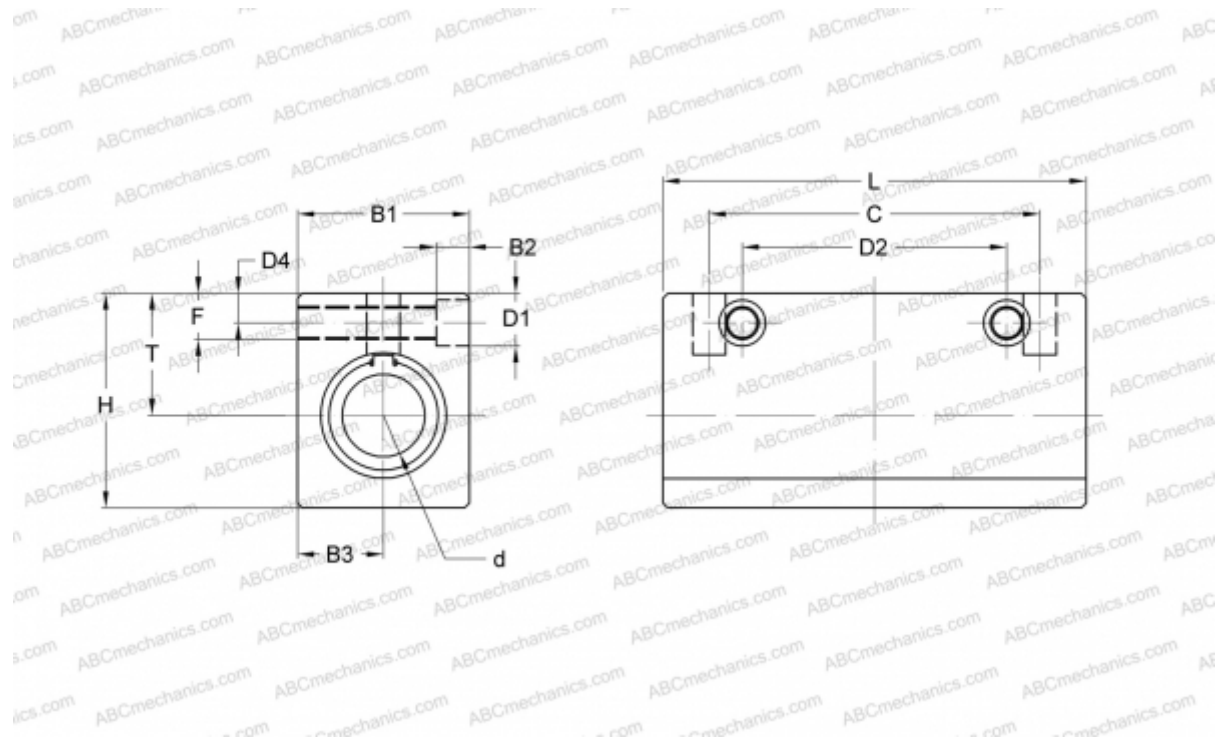


## AK 30GWUU NB

Linear bushing, case unit

TYPE: Shaft guidance systems, Linear bushing, case unit, Close type, Double-wide block type, Type AK..W, compact (NB)



### Technical specification

#### DIMENSIONS, MM

B1	58,000
H	71,000
L	138,000
d	30,000
D1	14,000
D2	110,000
D4	9,000
B2	10,000
B3	29,000
T	40,000
C	90,000
c	110
F	17.5

**WEIGHT, KG** 1,384

**MANUFACTURER** [NB](#)