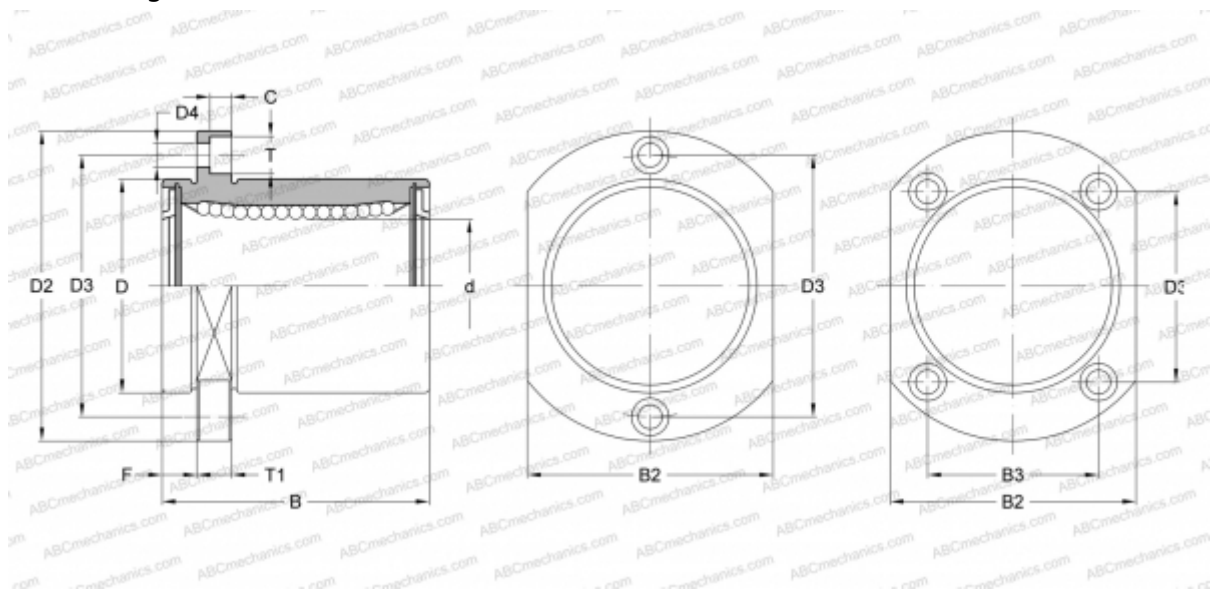


## SMT 10UU-E NB

Linear bushing

TYPE: Shaft guidance systems, Linear bushing, Pilot flange location, Oval type, Type SMT..E, Asian standard, Steel cage (NB)



### Technical specification

#### DIMENSIONS, MM

|    |        |
|----|--------|
| d  | 10,000 |
| D  | 19,000 |
| B  | 29,000 |
| D2 | 40,000 |
| D3 | 29,000 |
| D4 | 4,500  |
| B2 | 25,000 |
| T  | 7,500  |
| T1 | 6,000  |
| F  | 6      |

**WEIGHT, KG** 0,064

**MANUFACTURER** [NB](#)