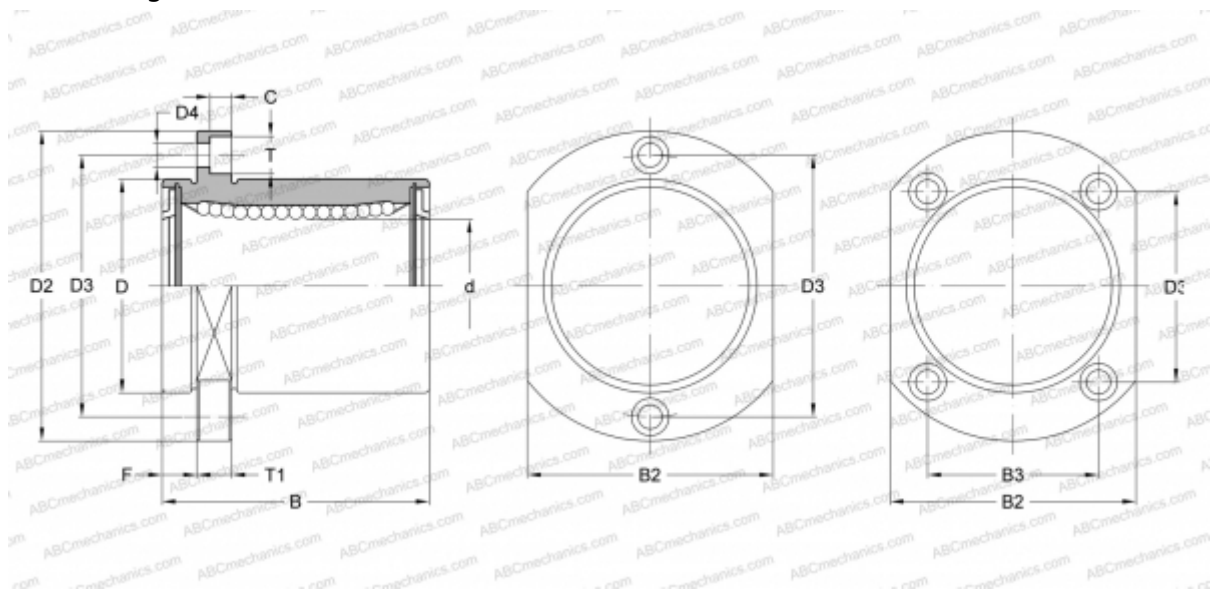


## SMT 12UU-E NB

Linear bushing

TYPE: Shaft guidance systems, Linear bushing, Pilot flange location, Oval type, Type SMT..E, Asian standard, Steel cage (NB)



### Technical specification

#### DIMENSIONS, MM

d	12,000
D	21,000
B	30,000
D2	42,000
D3	32,000
D4	4,500
B2	27,000
T	7,500
T1	6,000
F	6

**WEIGHT, KG** 0,068

**MANUFACTURER** [NB](#)