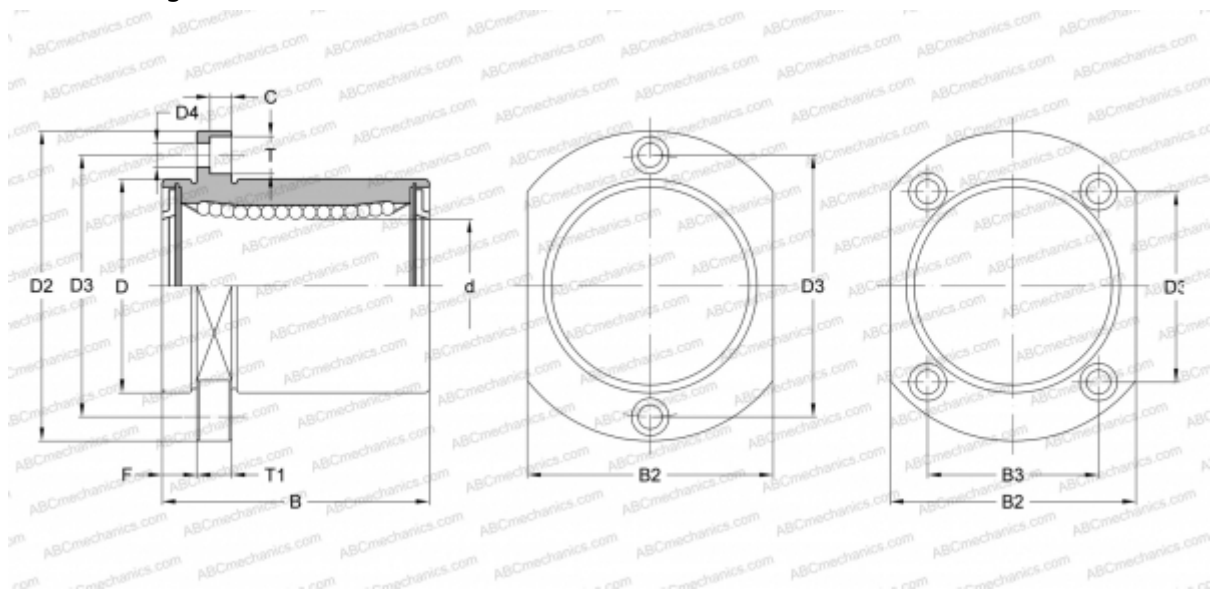


## SMT 10GUU-E NB

Linear bushing

TYPE: Shaft guidance systems, Linear bushing, Pilot flange location, Oval type, Type SMT..E, Asian standard, Plastic cage (NB)



### Technical specification

#### DIMENSIONS, MM

d	10,000
D	19,000
B	29,000
D2	40,000
D3	29,000
D4	4,500
B2	25,000
T	7,500
T1	6,000
F	6

**WEIGHT, KG** 0,064

**MANUFACTURER** [NB](#)