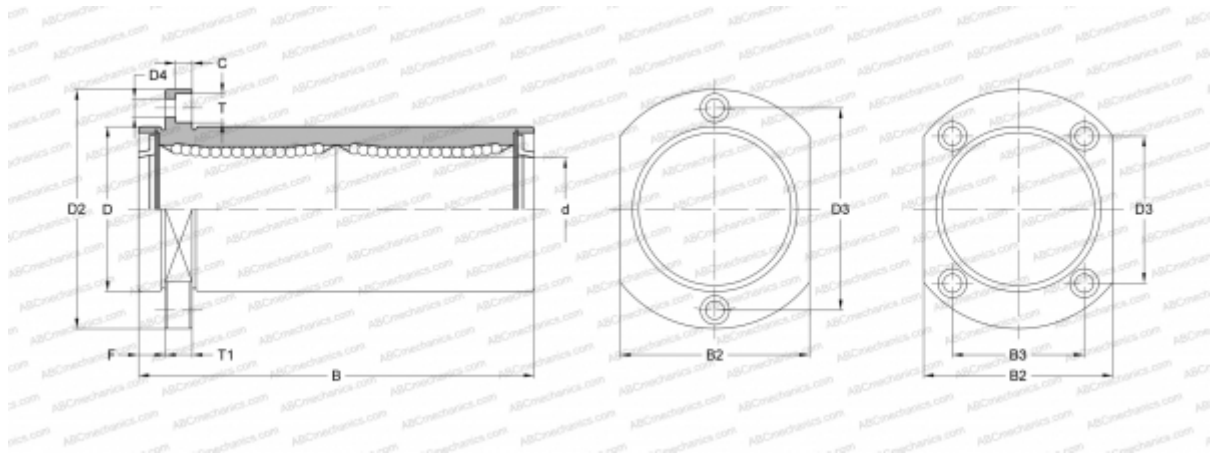


## SMST 30UU-E NB

Linear bushing

TYPE: Shaft guidance systems, Linear bushing, Pilot flange location, Oval type, Type SMT..E, Asian standard, Corrosion resistance, Stainless steel cage (NB)



### Technical specification

#### DIMENSIONS, MM

d	30,000
D	45,000
B	64,000
D2	74,000
D3	49,000
D4	6,600
B2	51,000
B3	35,000
T	11,000
T1	10,000
F	10

**WEIGHT, KG** 0,388

**MANUFACTURER** [NB](#)