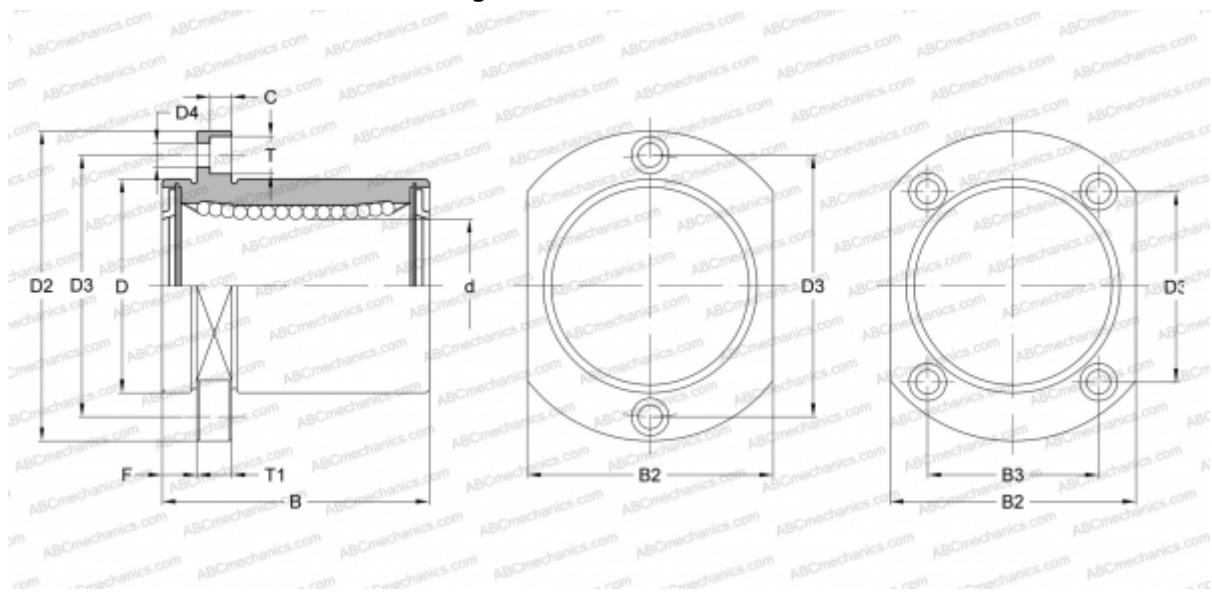


## SMST 13GUU-E NB

Linear bushing

TYPE: Shaft guidance systems, Linear bushing, Pilot flange location, Oval type, Type SMT..E, Asian standard, Corrosion resistance, Plastic cage (NB)



### Technical specification

#### DIMENSIONS, MM

d	13,000
D	23,000
B	32,000
D2	43,000
D3	33,000
D4	4,500
B2	29,000
T	7,500
T1	6,000
F	6

**WEIGHT, KG** 0,081

**MANUFACTURER** [NB](#)