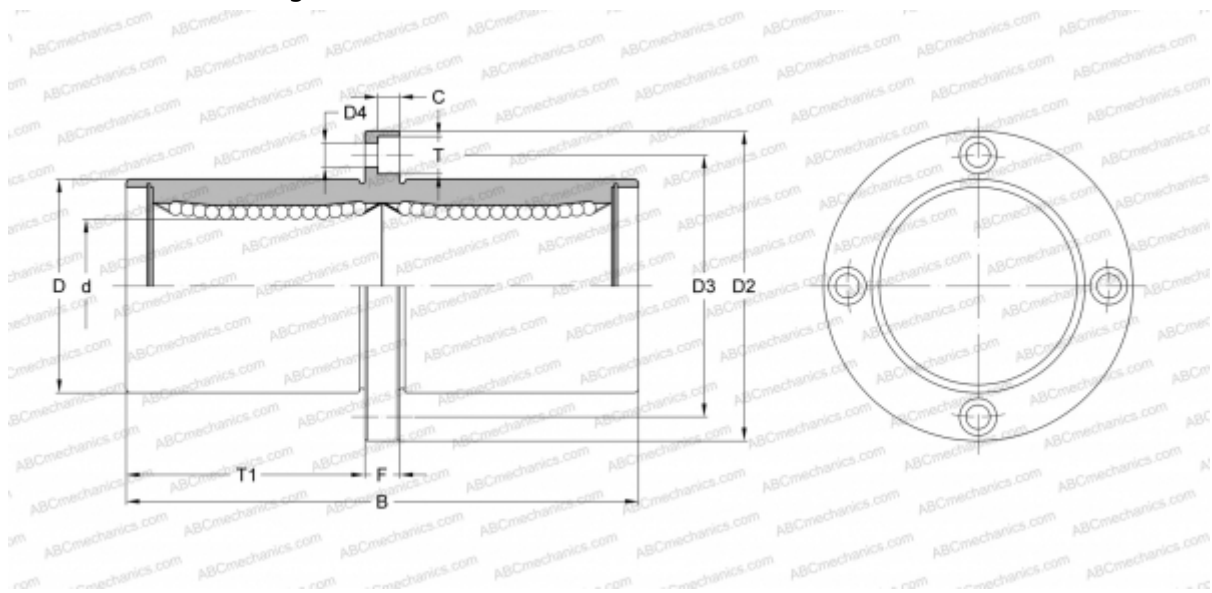


SWFC20 NB

Linear bushing

TYPE: Shaft guidance systems, Linear bushing, Middle flange location, Circular type, Type SWFC, American standard, Steel cage (NB)



Technical specification

DIMENSIONS, MM

d	31,750
D	50,800
B	127,000
D2	79,375
D3	65,088
D4	7,144
T	10,319
T1	58,738
C	6,747
F	9.525

WEIGHT, KG 1,020

MANUFACTURER [NB](#)