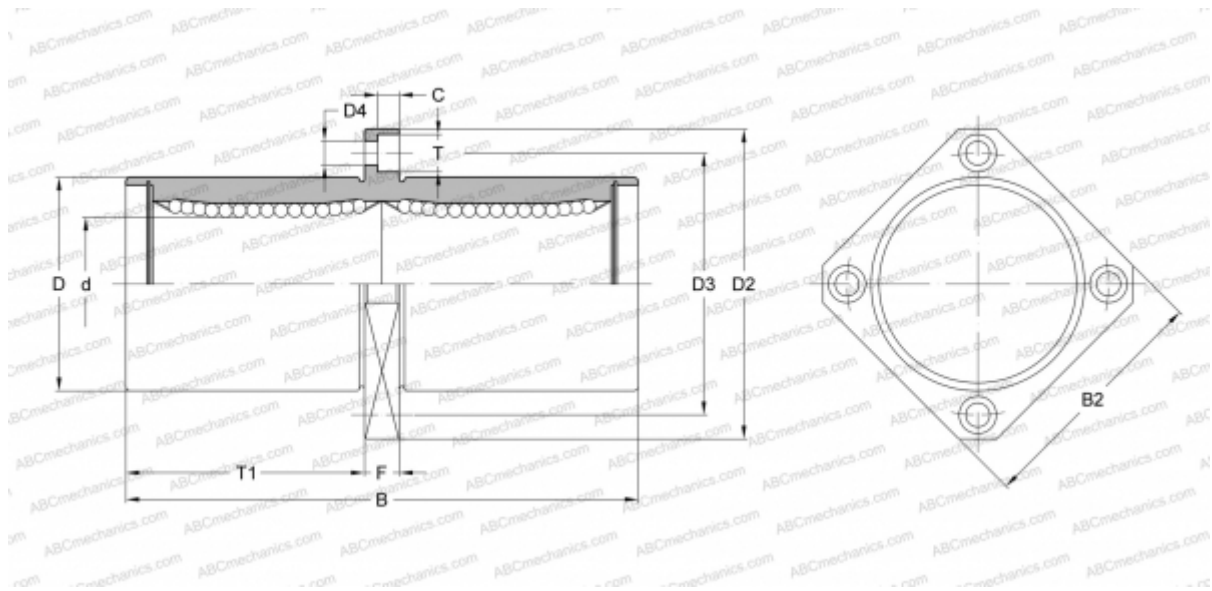


SWKC32 NB

Linear bushing

TYPE: Shaft guidance systems, Linear bushing, Middle flange location, Square type, Type SWKC, American standard, Steel cage (NB)



Technical specification

DIMENSIONS, MM

d	50,800
D	76,200
B	196,850
D2	111,125
D3	93,662
D4	8,731
B2	88,900
T	12,700
T1	92,075
C	8,334
F	12.7

WEIGHT, KG 2,620

MANUFACTURER [NB](#)