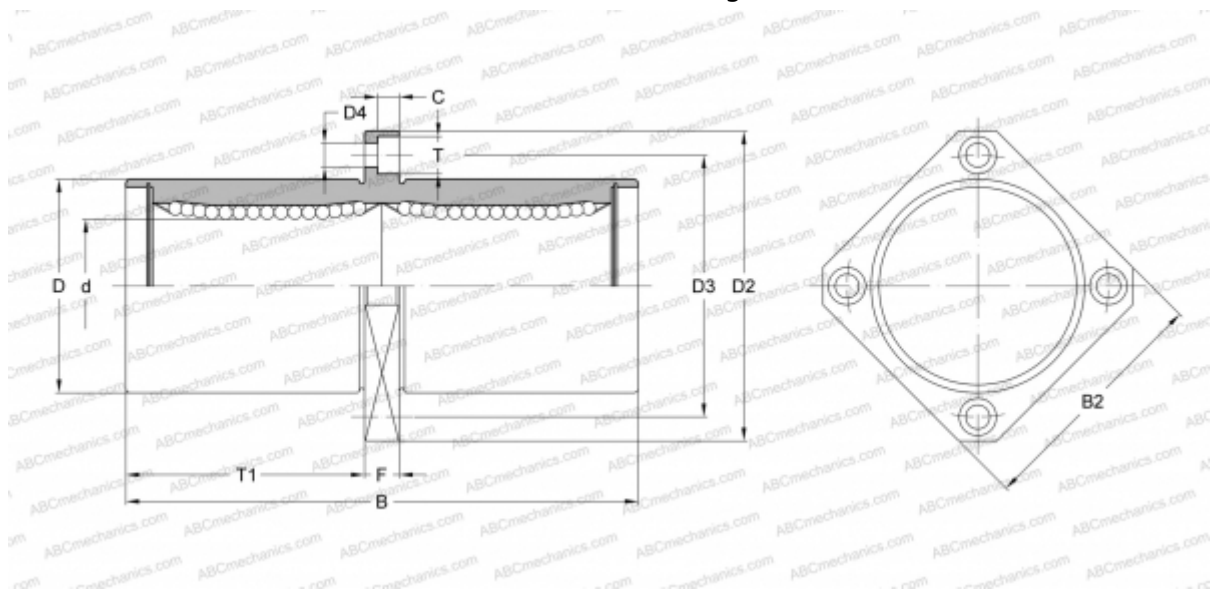


SWSKC 8 NB

Linear bushing

TYPE: Shaft guidance systems, Linear bushing, Middle flange location, Square type, Type SWKC, American standard, Corrosion resistance, Stainless steel cage (NB)



Technical specification

DIMENSIONS, MM

| | |
|----|--------|
| d | 12,700 |
| D | 22,225 |
| B | 60,325 |
| D2 | 44,450 |
| D3 | 33,338 |
| D4 | 4,763 |
| B2 | 34,925 |
| T | 7,541 |
| T1 | 26,988 |
| C | 4,366 |
| F | 6.35 |

WEIGHT, KG 0,106

MANUFACTURER [NB](#)