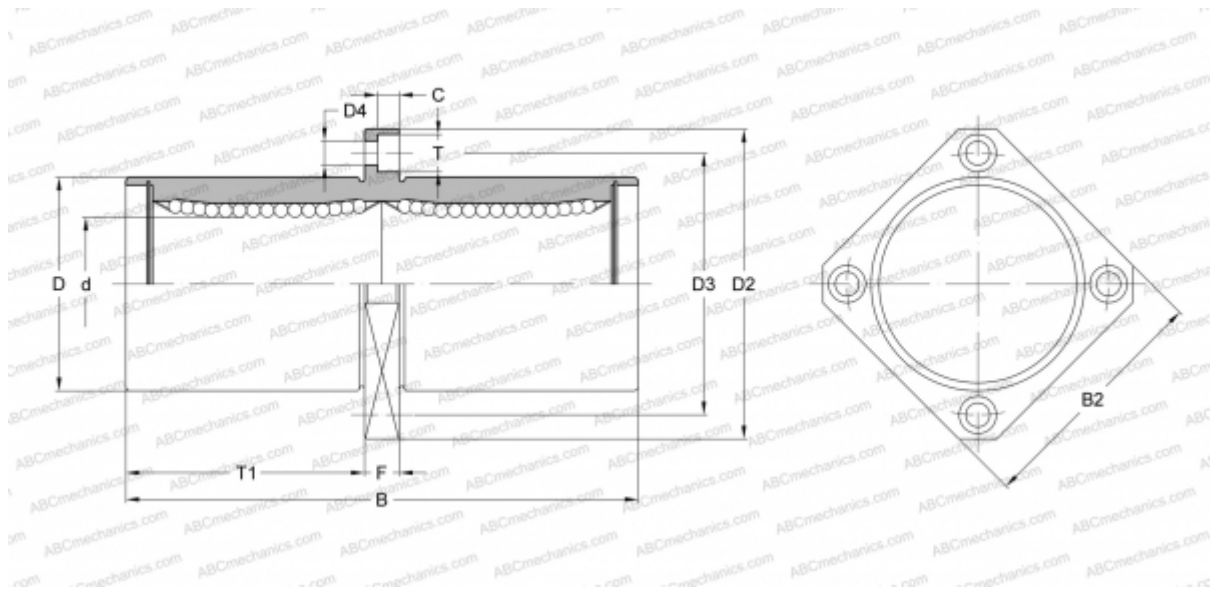


SWSKC20 NB

Linear bushing

TYPE: Shaft guidance systems, Linear bushing, Middle flange location, Square type, Type SWKC, American standard, Corrosion resistance, Stainless steel cage (NB)



Technical specification

DIMENSIONS, MM

d	31,750
D	50,800
B	127,000
D2	79,375
D3	65,088
D4	7,144
B2	63,500
T	10,319
T1	58,738
C	6,747
F	9.525

WEIGHT, KG 0,935

MANUFACTURER [NB](#)