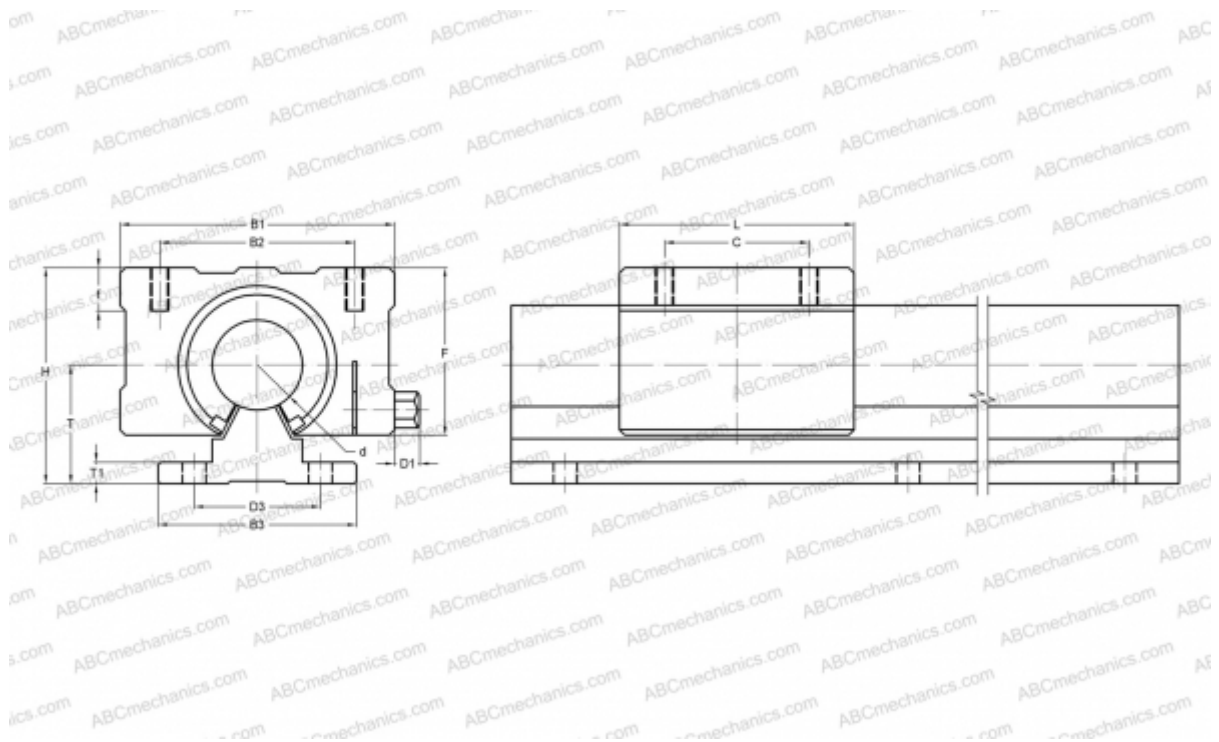


## CDS30 NB

Linear bushing, case unit

TYPE: Shaft guidance systems, Linear bushing, case unit, Open type, Clearance adjustable type, Type CD, Corrosion resistance (NB)



### Technical specification

#### DIMENSIONS, MM

B1	78,000
H	70,000
L	70,000
d	30,000
D1	7,000
D3	40,000
B2	58,000
B3	60,000
T	37,000
T1	7,000
f	15,000
C	50,000
F	56

**WEIGHT, KG** 0,720

**MANUFACTURER** [NB](#)