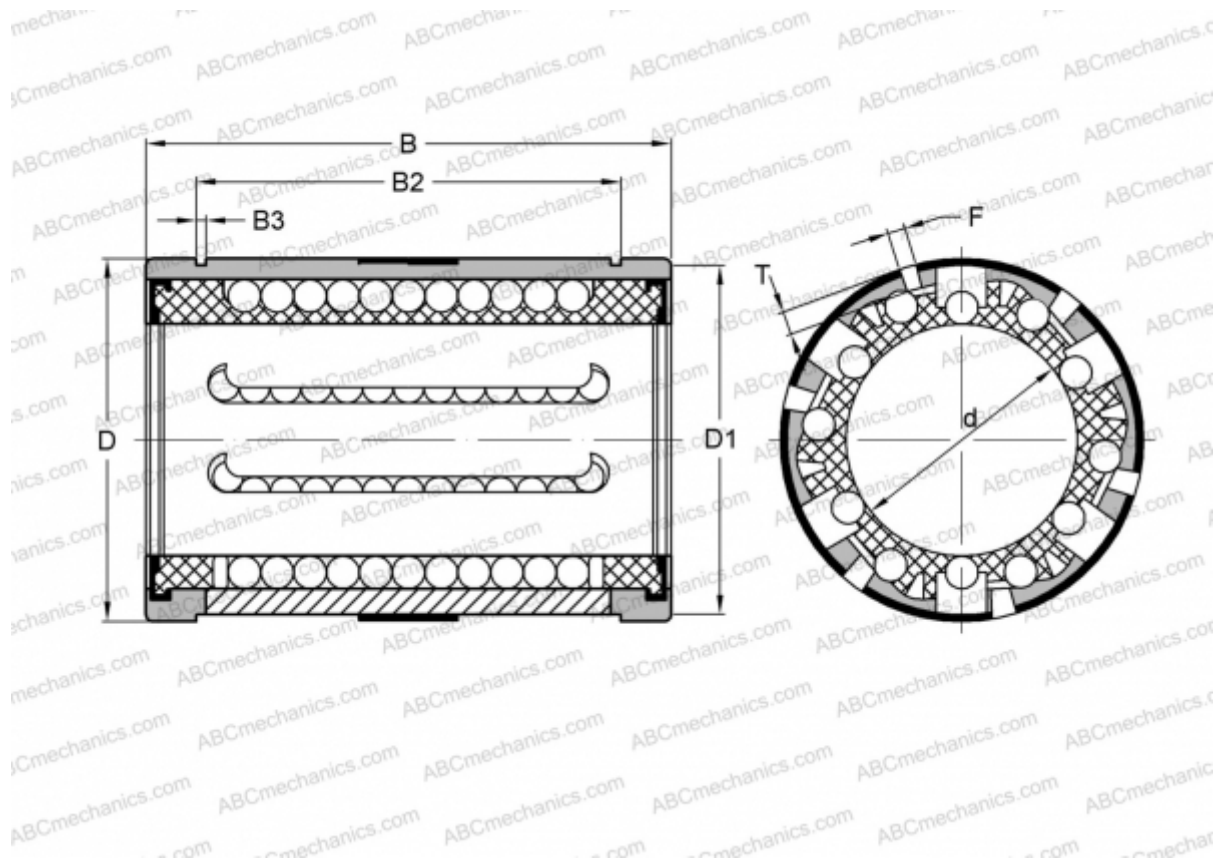


KN50-B-PP INA

Linear bushing

TYPE: Shaft guidance systems, Linear bushing, Self aligning, Close type, Type KN..B-PP, light range, sealed on both sides (INA)



Technical specification

DIMENSIONS, MM

d	50,000
D	75,000
B	100,000
D1	71,400
B2	77,300
B3	2,650
T	2,300
F	5

WEIGHT, KG 0,670

MANUFACTURER [INA](#)