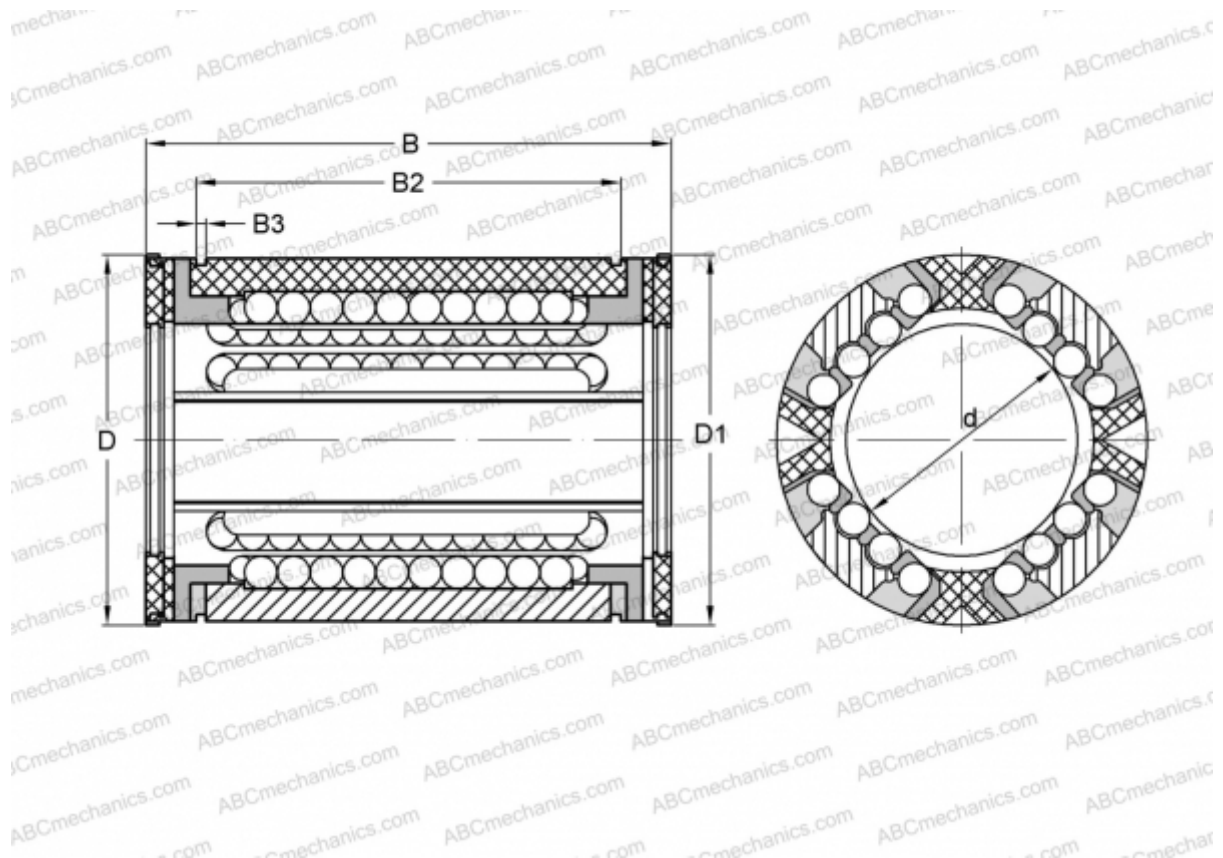


KS16-PP INA

Linear bushing

TYPE: Shaft guidance systems, Linear bushing, Self aligning, Close type, Type KS..PP, heavy duty range, sealed on both sides (INA)



Technical specification

DIMENSIONS, MM

d	16,000
D	26,000
B	36,000
D1	25,000
B2	24,600
B3	1,300

WEIGHT, KG 0,028

MANUFACTURER [INA](#)