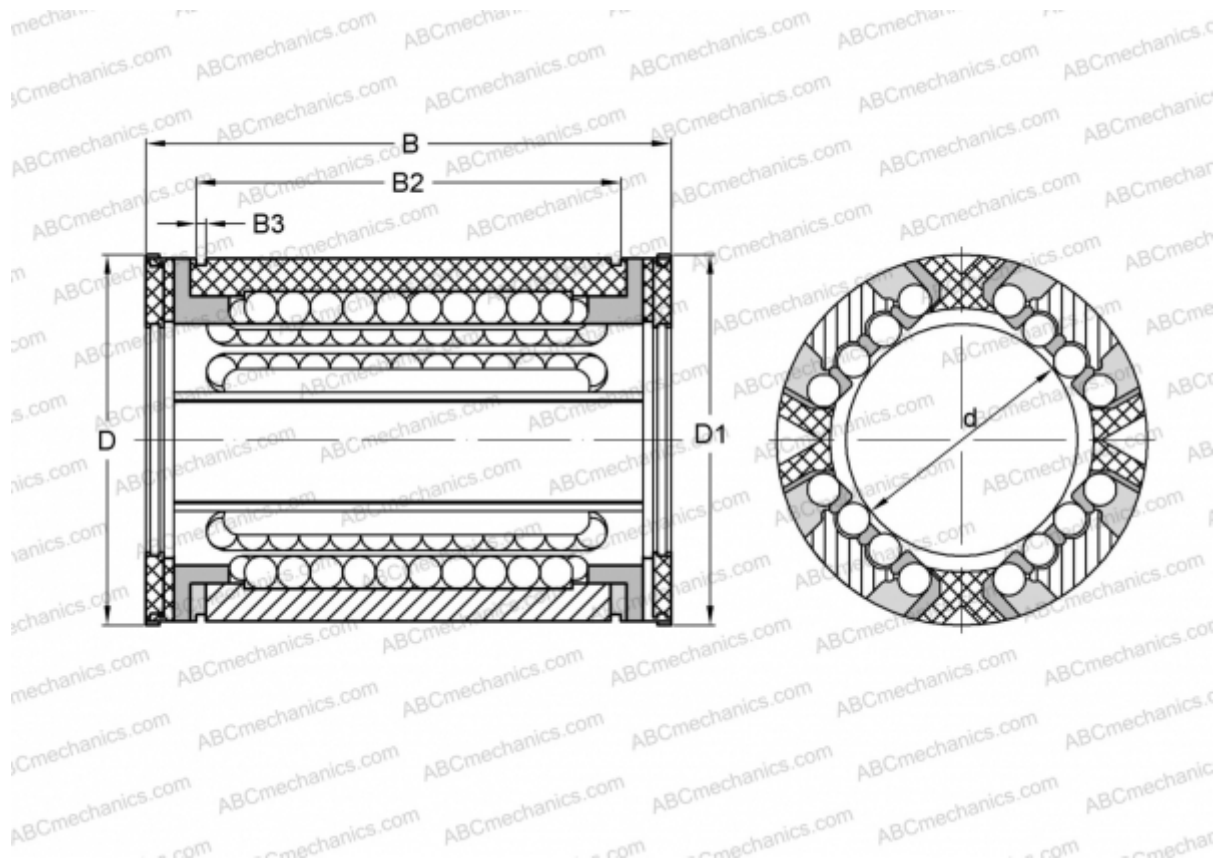


## KS50-PP INA

Linear bushing

TYPE: Shaft guidance systems, Linear bushing, Self aligning, Close type, Type KS..PP, heavy duty range, sealed on both sides (INA)



### Technical specification

#### DIMENSIONS, MM

d	50,000
D	75,000
B	100,000
D1	71,400
B2	77,300
B3	2,650

**WEIGHT, KG** 0,589

**MANUFACTURER** [INA](#)