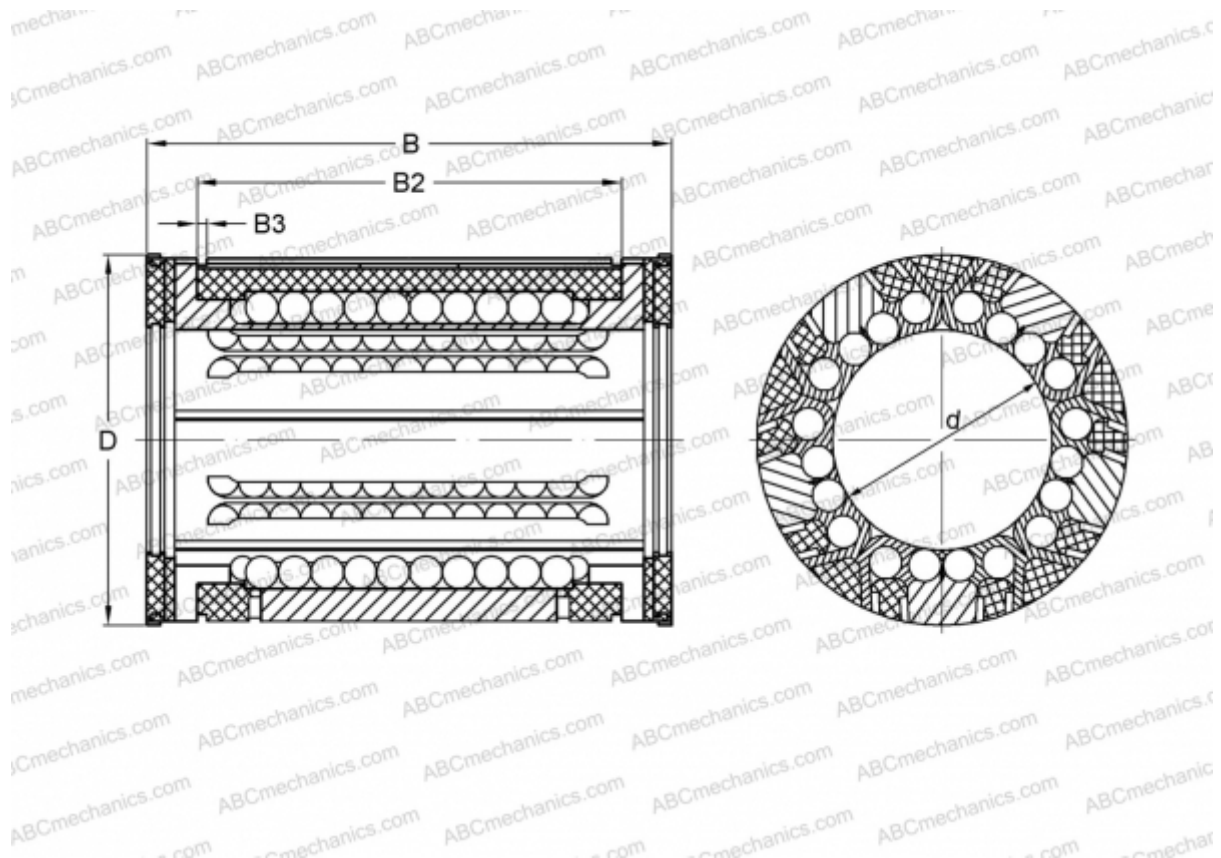


KX08-PP INA

Linear bushing

TYPE: Shaft guidance systems, Linear bushing, Self aligning, Close type, Type KX..PP, heavy duty range, sealed on both sides, inch size (INA)



Technical specification

DIMENSIONS, MM

d	12,700
D	22,225
B	31,750
B2	26,213
B3	1,168

WEIGHT, KG 0,015

MANUFACTURER [INA](#)