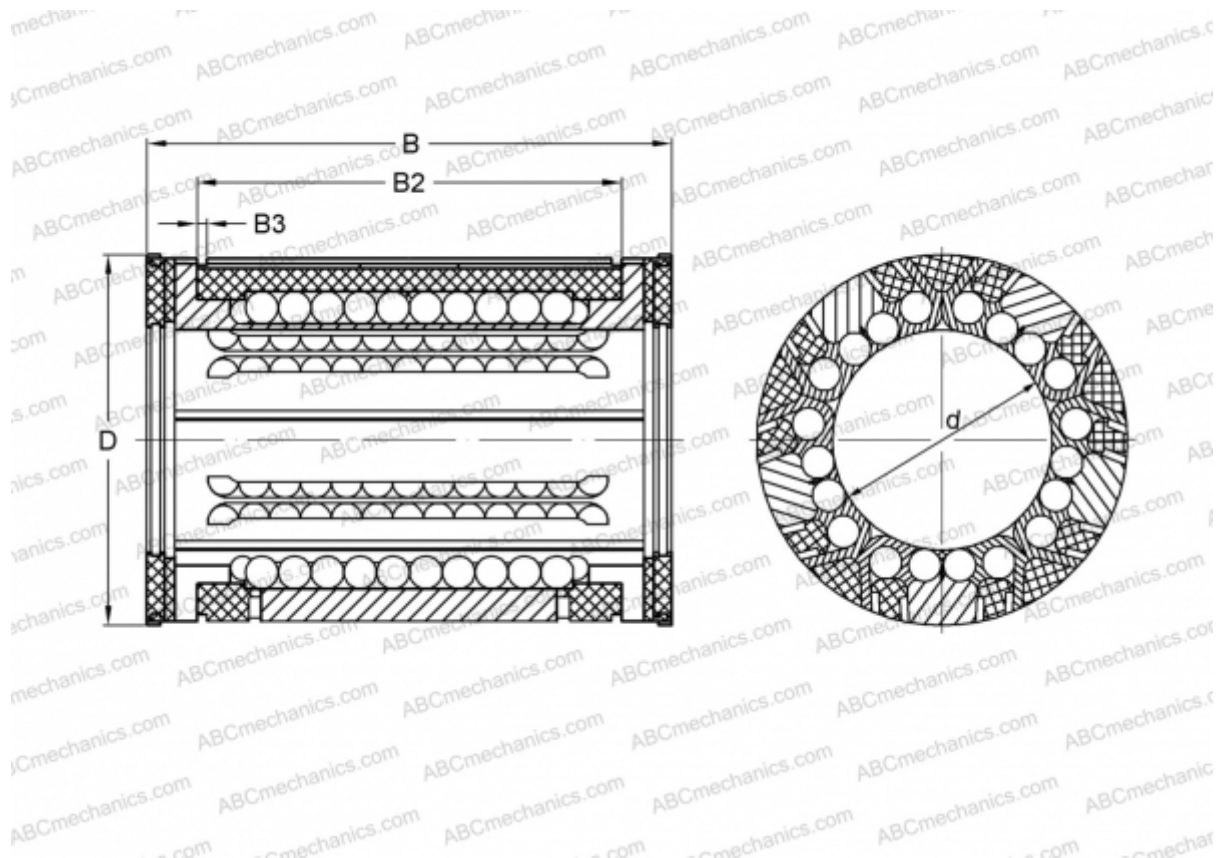


KX10-PP INA

Linear bushing

TYPE: Shaft guidance systems, Linear bushing, Self aligning, Close type, Type KX..PP, heavy duty range, sealed on both sides, inch size (INA)



Technical specification

DIMENSIONS, MM

| | |
|----|--------|
| d | 15,875 |
| D | 28,575 |
| B | 38,100 |
| B2 | 28,245 |
| B3 | 1,422 |

WEIGHT, KG 0,040

MANUFACTURER [INA](http://www.ina.com)