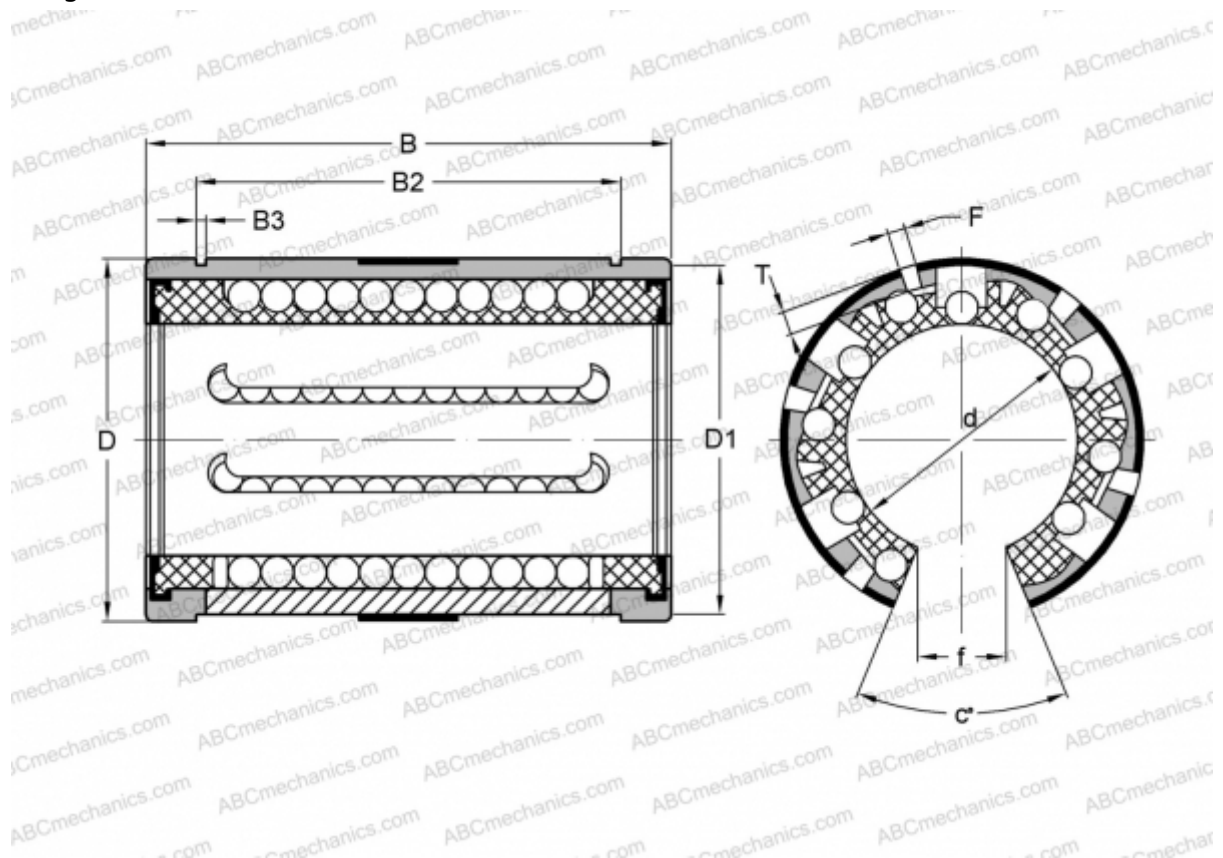


## KNO25-B-PP INA

Linear bushing

TYPE: Shaft guidance systems, Linear bushing, Self aligning, Open type for support rail, Type KNO..B-PP, light range, sealed on both sides (INA)



### Technical specification

#### DIMENSIONS, MM

d	25,000
D	40,000
B	58,000
T	1,400
f	11,500
c	57
F	3

**WEIGHT, KG** 0,110

**MANUFACTURER** [INA](http://www.ina.com)