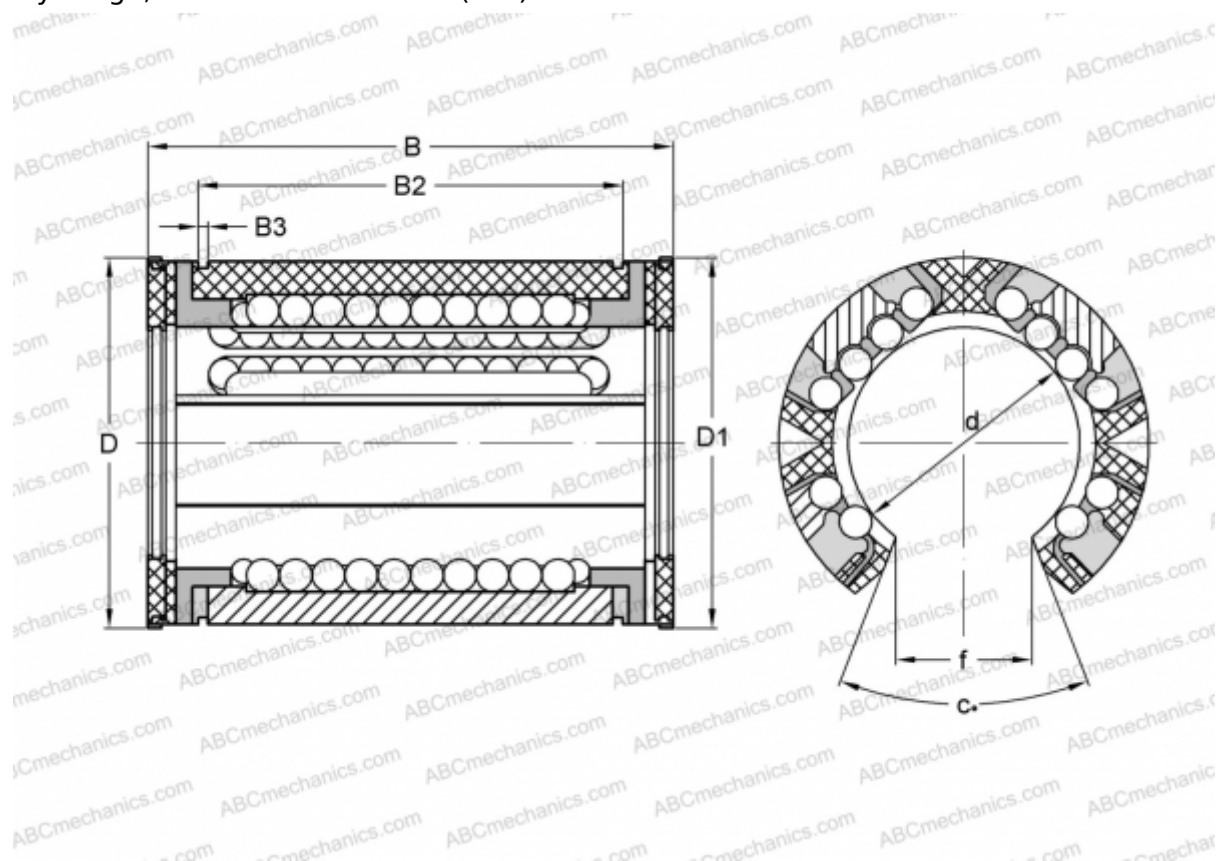


## KSO12-PP INA

Linear bushing

TYPE: Shaft guidance systems, Linear bushing, Self aligning, Open type for support rail, Type KSO..PP, heavy duty range, sealed on both sides (INA)



### Technical specification

#### DIMENSIONS, MM

d	12,000
D	22,000
B	32,000
f	7,600
c	78

**WEIGHT, KG** 0,013

**MANUFACTURER** [INA](http://www.ina.com)