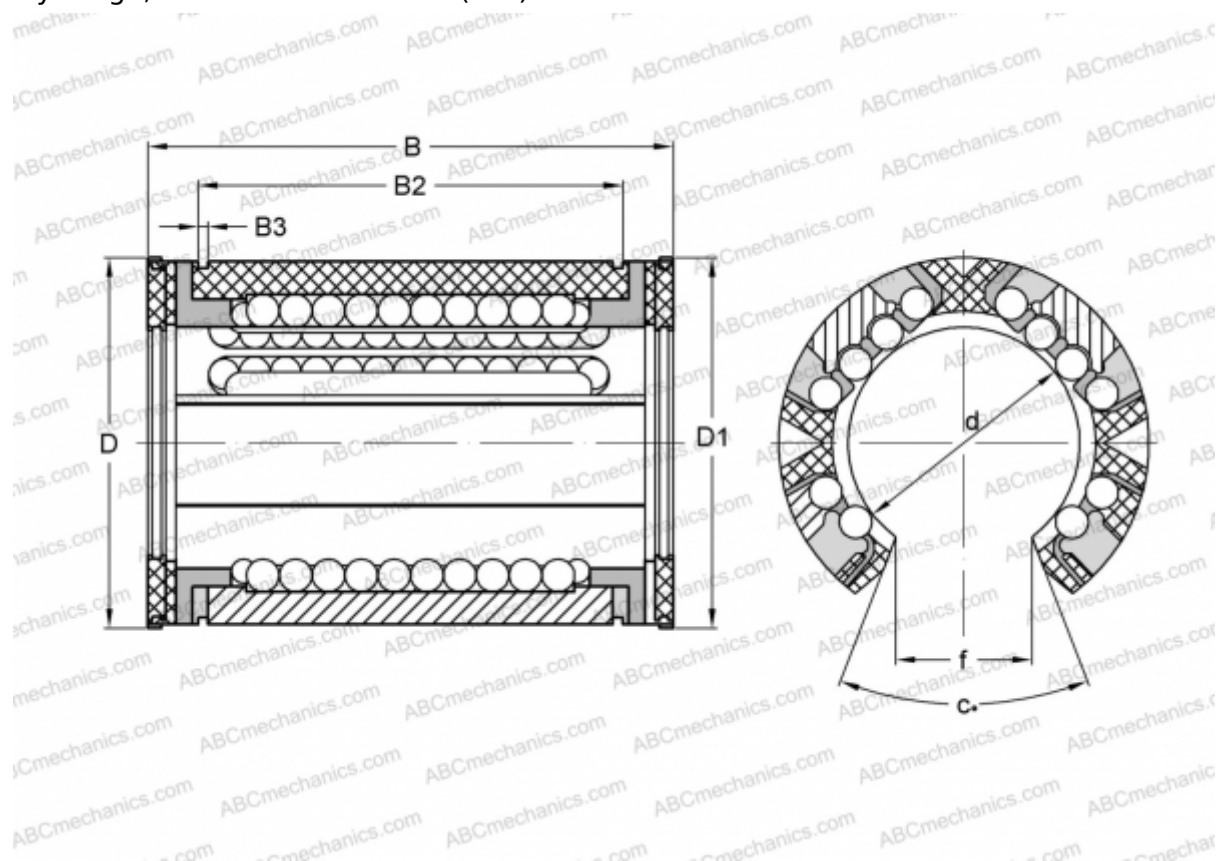


KSO16-PP INA

Linear bushing

TYPE: Shaft guidance systems, Linear bushing, Self aligning, Open type for support rail, Type KSO..PP, heavy duty range, sealed on both sides (INA)



Technical specification

DIMENSIONS, MM

d	16,000
D	26,000
B	36,000
f	10,100
c	78

WEIGHT, KG 0,019

MANUFACTURER [INA](#)