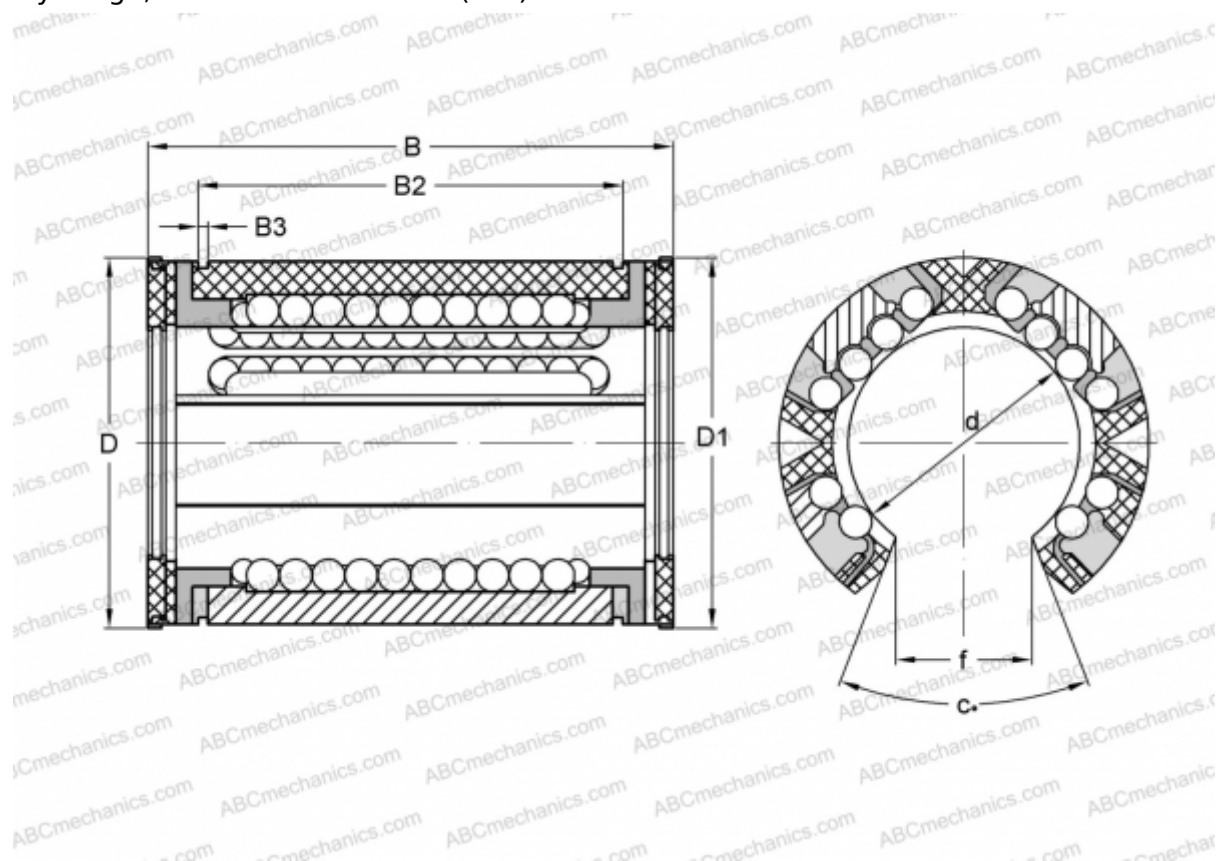


## KSO50-PP INA

Linear bushing

TYPE: Shaft guidance systems, Linear bushing, Self aligning, Open type for support rail, Type KSO..PP, heavy duty range, sealed on both sides (INA)



### Technical specification

#### DIMENSIONS, MM

d	50,000
D	75,000
B	100,000
f	22,700
c	54

**WEIGHT, KG** 0,454

**MANUFACTURER** [INA](#)