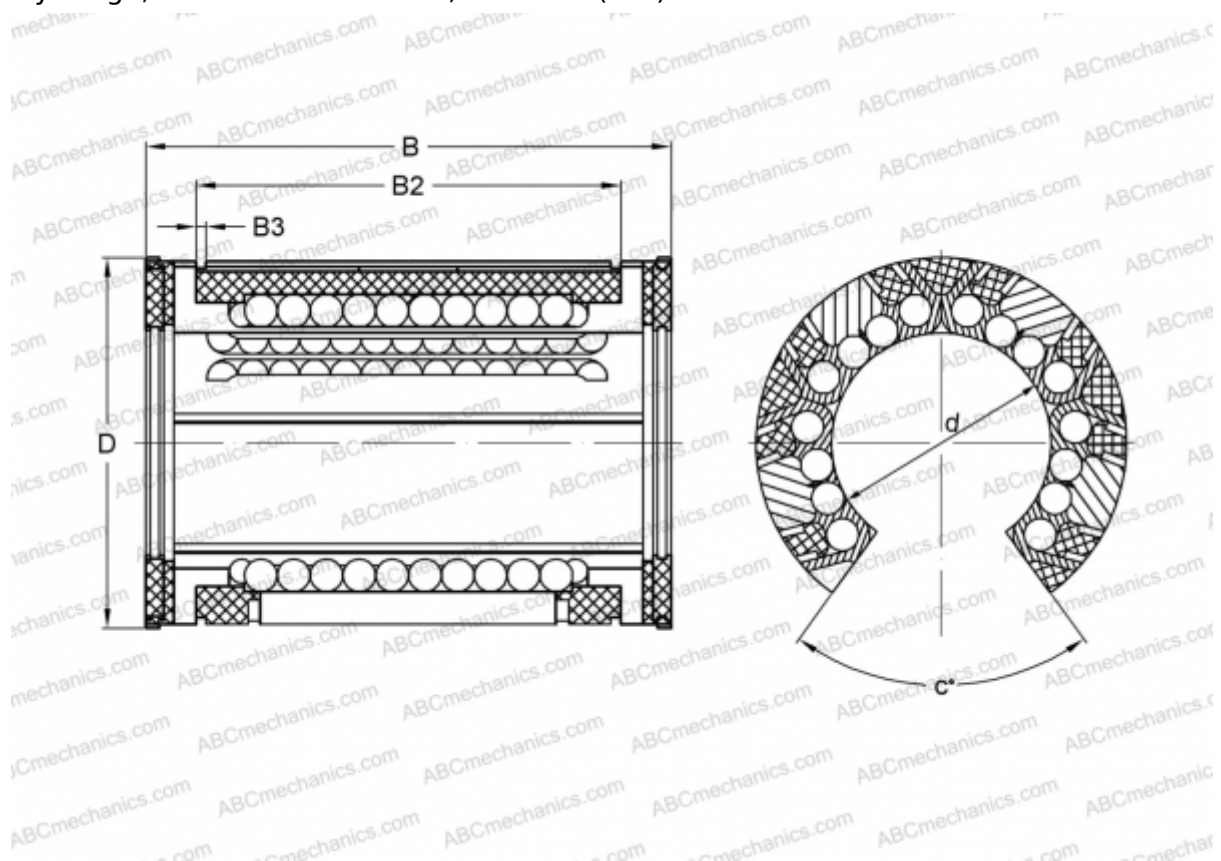


## KX008-PP INA

Linear bushing

TYPE: Shaft guidance systems, Linear bushing, Self aligning, Open type for support rail, Type KXO..PP, heavy duty range, sealed on both sides, inch size (INA)



### Technical specification

#### DIMENSIONS, MM

d	12,700
D	22,225
B	31,750
B2	26,213
B3	1,168
c	60

**WEIGHT, KG** 0,015

**MANUFACTURER** [INA](#)