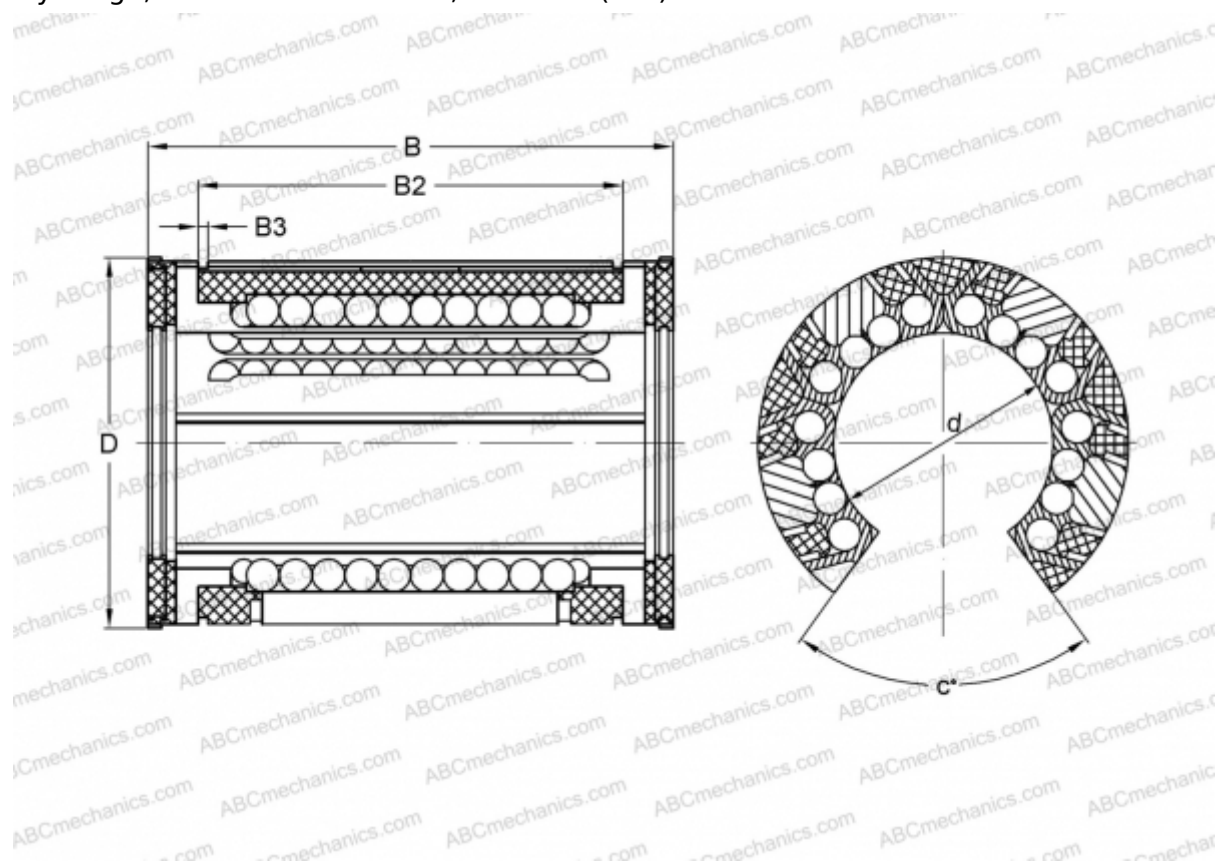


KXO10-PP INA

Linear bushing

TYPE: Shaft guidance systems, Linear bushing, Self aligning, Open type for support rail, Type KXO..PP, heavy duty range, sealed on both sides, inch size (INA)



Technical specification

DIMENSIONS, MM

d	15,875
D	28,575
B	38,100
B2	28,245
B3	1,422
c	60

WEIGHT, KG 0,040

MANUFACTURER [INA](#)