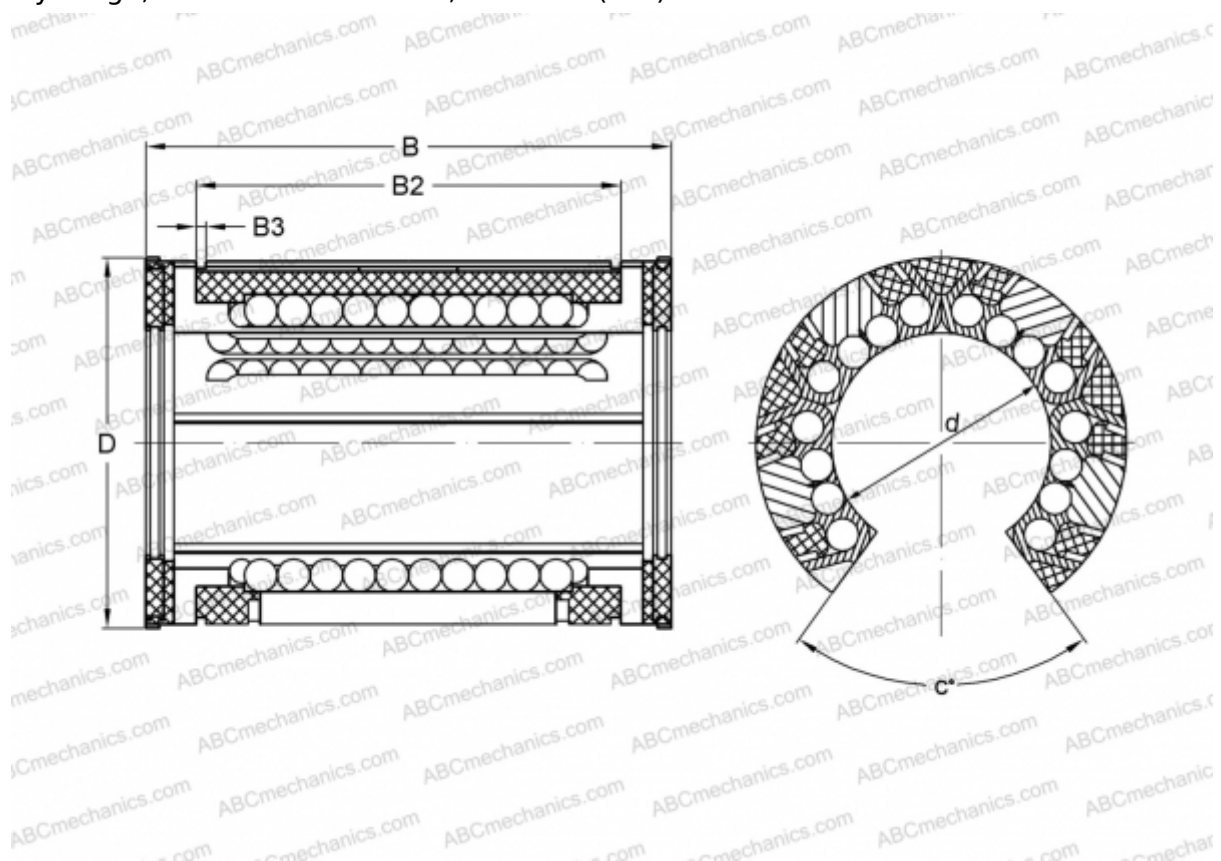


## KXO20-PP INA

Linear bushing

TYPE: Shaft guidance systems, Linear bushing, Self aligning, Open type for support rail, Type KXO..PP, heavy duty range, sealed on both sides, inch size (INA)



### Technical specification

#### DIMENSIONS, MM

d	31,750
D	50,800
B	66,675
B2	51,079
B3	1,727
c	60

**WEIGHT, KG** 0,215

**MANUFACTURER** [INA](#)