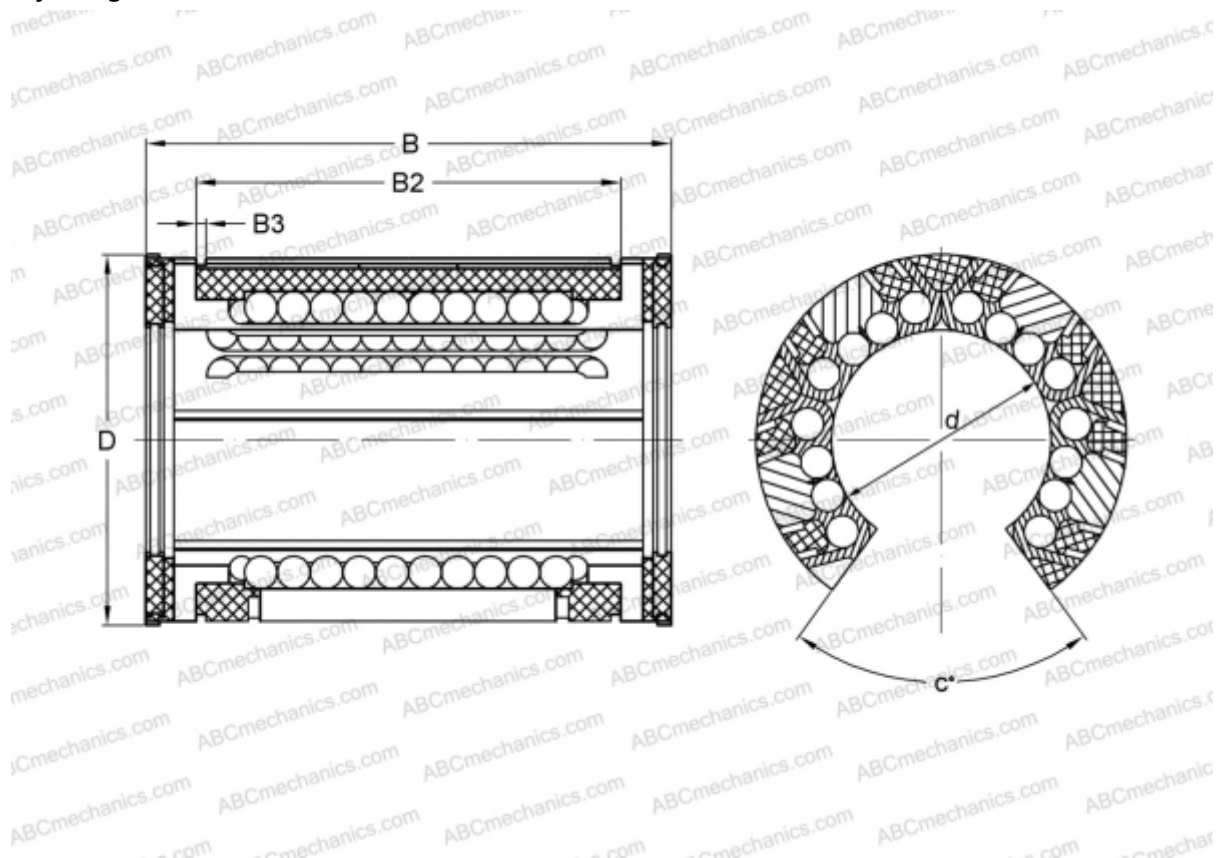


KX024-PP INA

Linear bushing

TYPE: Shaft guidance systems, Linear bushing, Self aligning, Open type for support rail, Type KXO..PP, heavy duty range, sealed on both sides, inch size (INA)



Technical specification

DIMENSIONS, MM

| | |
|----|--------|
| d | 38,100 |
| D | 60,325 |
| B | 76,200 |
| B2 | 61,519 |
| B3 | 2,184 |
| c | 60 |

WEIGHT, KG 0,348

MANUFACTURER [INA](#)