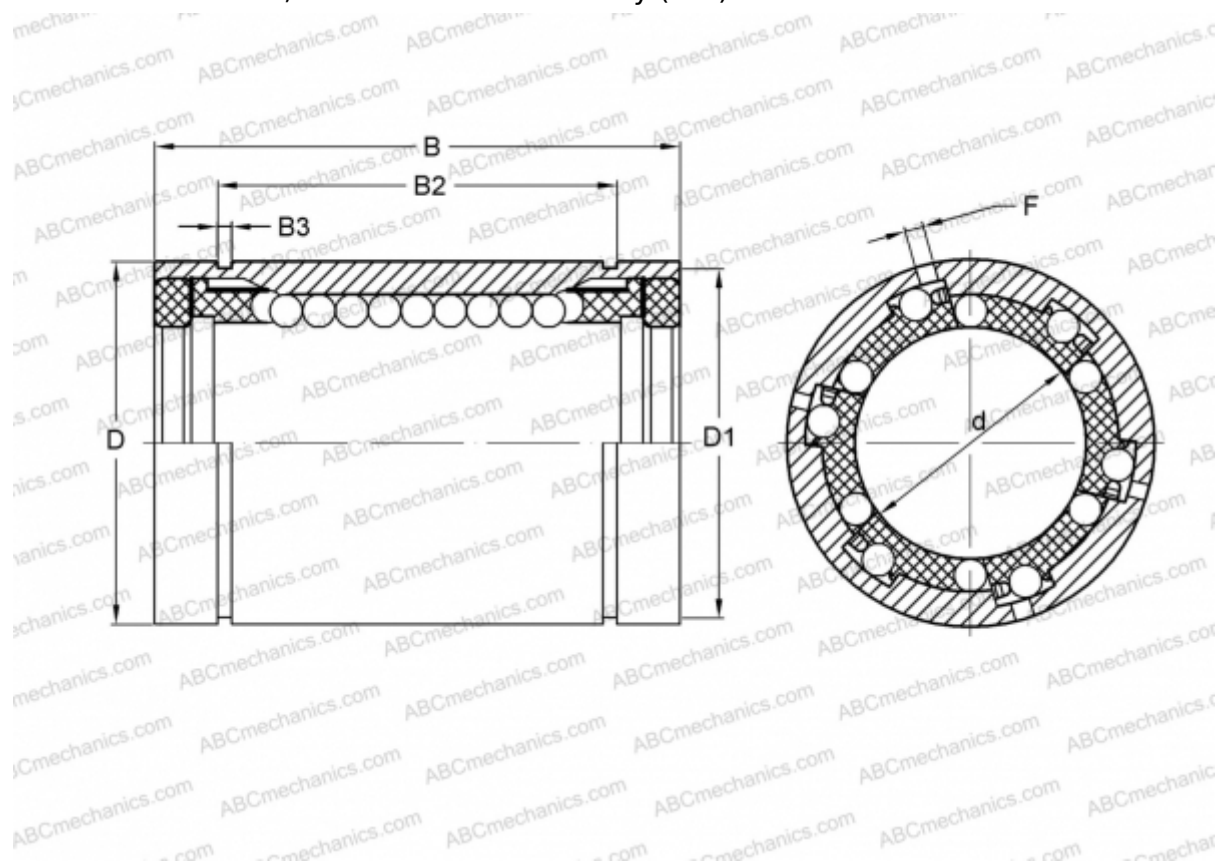


KB16-PP-AS INA

Linear bushing

TYPE: Shaft guidance systems, Linear bushing, Standard, Close type, Type KB..PP-AS, machined range, sealed on both sides, with relubrication facility (INA)



Technical specification

DIMENSIONS, MM

d	16,000
D	26,000
B	36,000
D1	24,900
B2	24,600
B3	1,300
F	2

WEIGHT, KG 0,050

MANUFACTURER [INA](#)