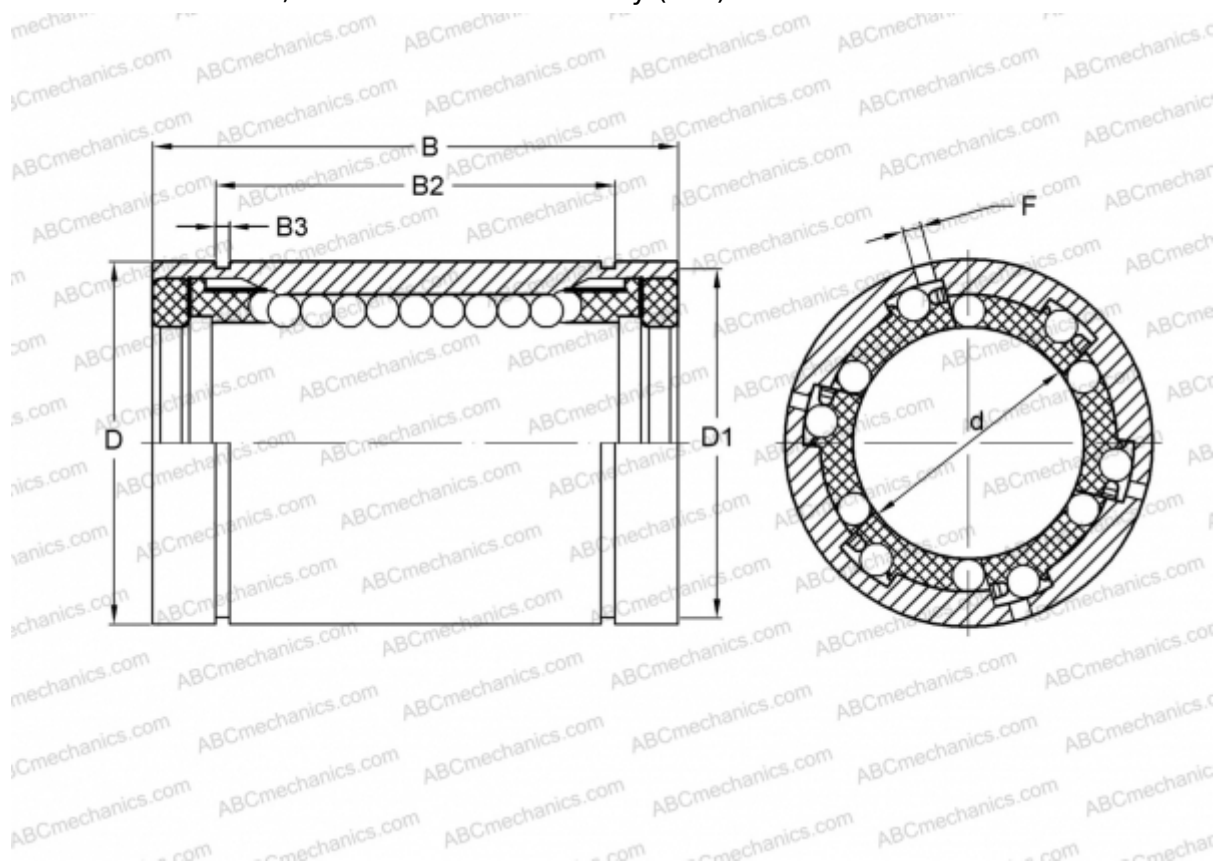


## KB40-PP-AS INA

Linear bushing

TYPE: Shaft guidance systems, Linear bushing, Standard, Close type, Type KB..PP-AS, machined range, sealed on both sides, with relubrication facility (INA)



### Technical specification

#### DIMENSIONS, MM

|    |        |
|----|--------|
| d  | 40,000 |
| D  | 62,000 |
| B  | 80,000 |
| D1 | 59,000 |
| B2 | 60,300 |
| B3 | 2,150  |
| F  | 3      |

**WEIGHT, KG** 0,600

**MANUFACTURER** [INA](#)