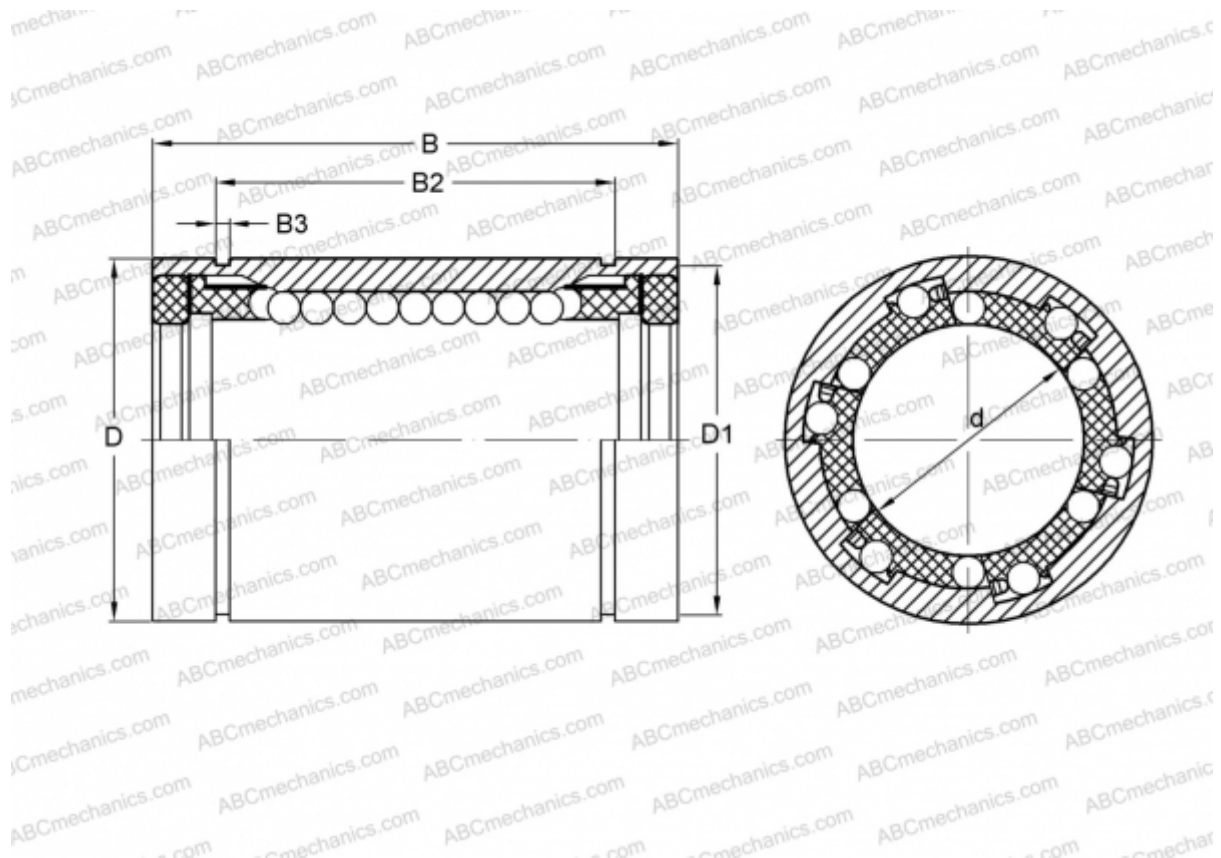


KBZ12-PP INA

Linear bushing

TYPE: Shaft guidance systems, Linear bushing, Standard, Close type, Type KBZ..PP, machined range, sealed on both sides, inch size (INA)



Technical specification

DIMENSIONS, MM

d	19,050
D	31,750
B	41,275
D1	29,870
B2	29,616
B3	1,422

WEIGHT, KG 0,095

MANUFACTURER [INA](#)