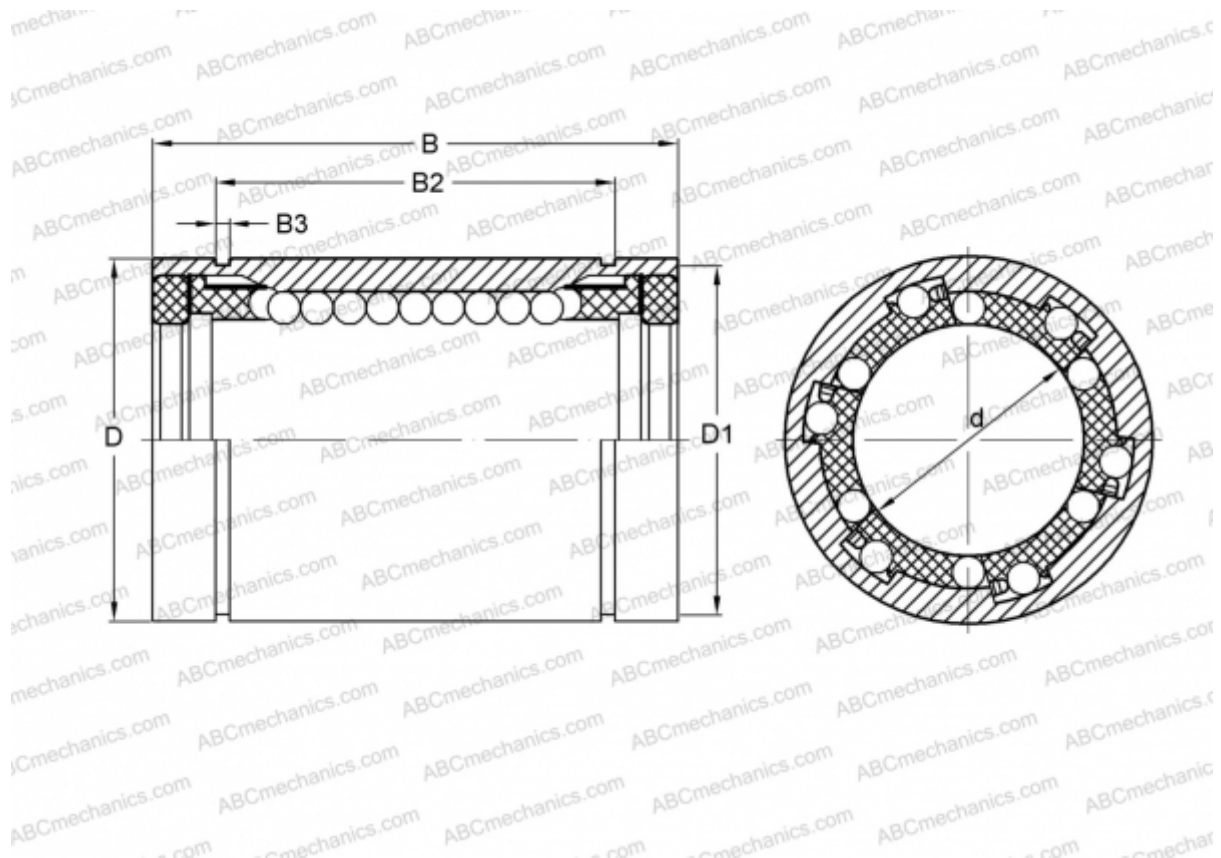


## KBZ32-PP INA

Linear bushing

TYPE: Shaft guidance systems, Linear bushing, Standard, Close type, Type KBZ..PP, machined range, sealed on both sides, inch size (INA)



### Technical specification

#### DIMENSIONS, MM

d	50,800
D	76,200
B	101,600
D1	72,085
B2	81,077
B3	2,616

**WEIGHT, KG** 1,139

**MANUFACTURER** [INA](#)