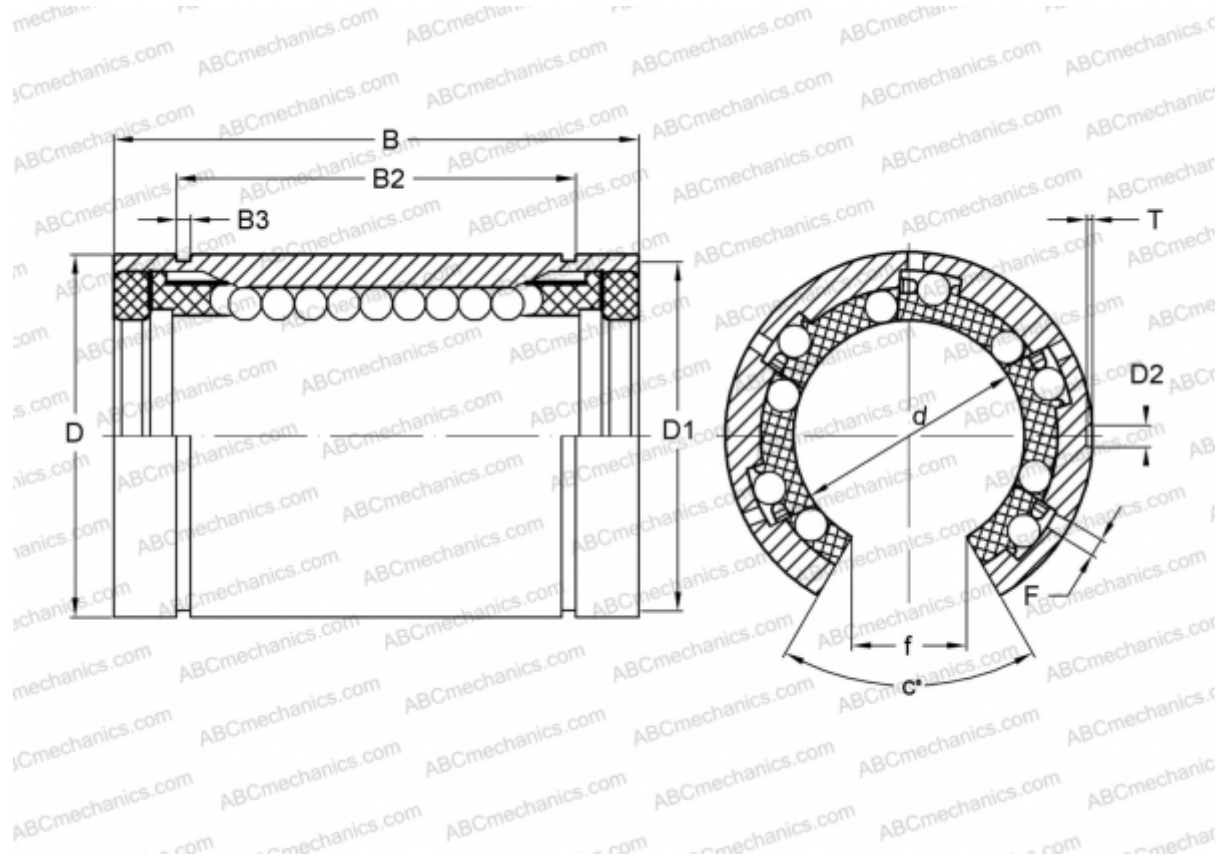


## KBO12-PP-AS INA

Linear bushing

TYPE: Shaft guidance systems, Linear bushing, Standard, Open type for support rail, Type KBO..PP-AS, machined range, sealed on both sides, with relubrication facility (INA)



### Technical specification

#### DIMENSIONS, MM

d	12,000
D	22,000
B	32,000
D1	21,000
D2	2,200
B2	22,600
B3	1,300
T	1,200
f	7,700
c	78
F	1.5

**WEIGHT, KG** 0,030

**MANUFACTURER** [INA](http://www.ina.com)