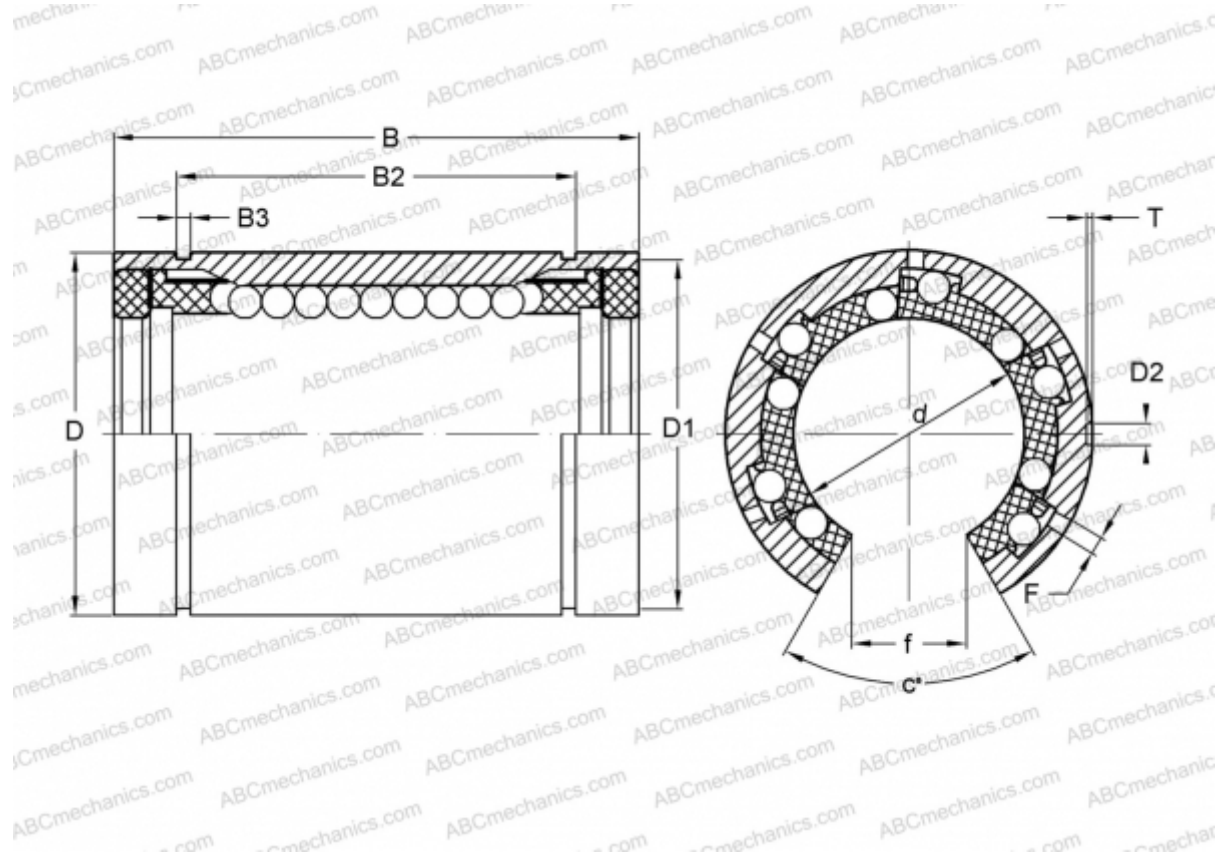


KBO16-PP-AS INA

Linear bushing

TYPE: Shaft guidance systems, Linear bushing, Standard, Open type for support rail, Type KBO..PP-AS, machined range, sealed on both sides, with relubrication facility (INA)



Technical specification

DIMENSIONS, MM

| | |
|----|--------|
| d | 16,000 |
| D | 26,000 |
| B | 36,000 |
| D1 | 24,900 |
| D2 | 2,200 |
| B2 | 24,600 |
| B3 | 1,300 |
| T | 1,200 |
| f | 10,100 |
| c | 78 |
| F | 2 |

WEIGHT, KG 0,040

MANUFACTURER [INA](http://www.ina.com)